

Specifications

Swift drain Kennel Drain 600

6" wide pre sloped trench drain system

Paw Proof Grates

600 series - Kennel



600-Kennel Drain

Let's make this easy.

Kennel drainage may seem like a daunting task but it doesn't have to be. In fact, it can be easy.

The Swift Drain Kennel Drain 600 is a best in class pre sloped kennel trench drain system used by kennels, veterinary offices and animal enclosures across the United States.

The Swift Drain Kennel Drain 600 is often chosen by kennels for its sanitary benefits, functionality and longevity. This drain will last as long as the kennel. Once installed, its very easy to maintain and clean.

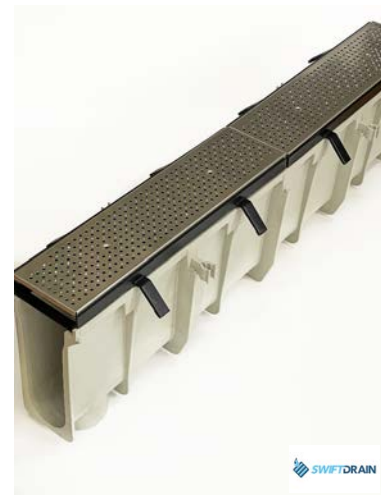
A market leader in design, materials quality, functionality and durability.

Designed with strength and durability in mind. Built to last.

Smart materials and intuitive design make the 6" wide series a market leader in trench drain systems.

The Swift Drain 600 Kennel Drain is the only drain on the market with a PAW PROOF Grate Design.

Available in Stainless Steel, HDPE and Polymer.



Sloped, Sanitary, Safe



SwiftCatch Basin & Fur Trap

The Swiftdrain Kennel Drain 600 comes with an optional inline catch basin. The catch basin comes equipped with a stainless steel fur trap. Made out of durable and sanitary HDPE

- 6" wide seamless integration
- 27" deep
- 2 side outlet exit knockouts
- 1 bottom outlet knockout
- Accepts 3" , 4" , 6" , 8" , 12" pipe



Sanitary & Clean Fur Trap

We know dogs shed. Fur leads to clogged drains and back flow issues over time. Use our SwiftCatch Stainless steel removable fur trap for fast, easy, simple cleaning and maintenance.

Outlet Flexibility.. Choose a ..



End Outlet or Bottom Outlet

Connects to Schedule 40 Pipe

Accepts 3" 4" 6" 8" 12" pipe

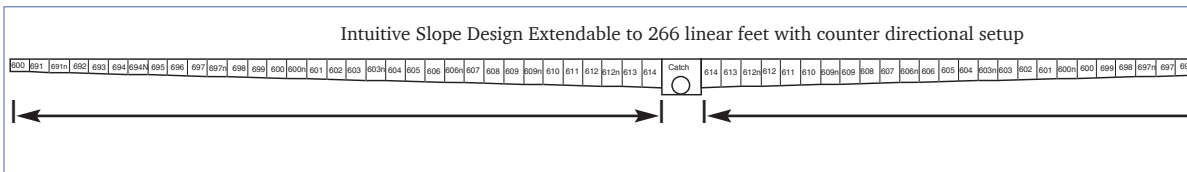
Fur Trap Prevents Clogging

Universal End Cap and End Outlet Cut to Size

Channel Pre Slope Overview

6" Kennel Drain

Sloped, Sanitary, Safe

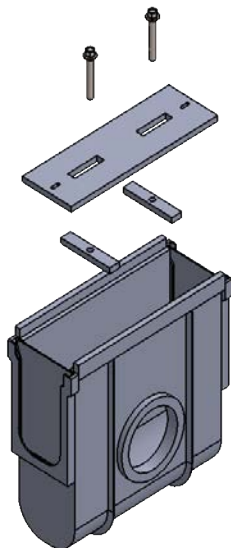


132 of Feet of continuous slope

132 Feet of continuous slope

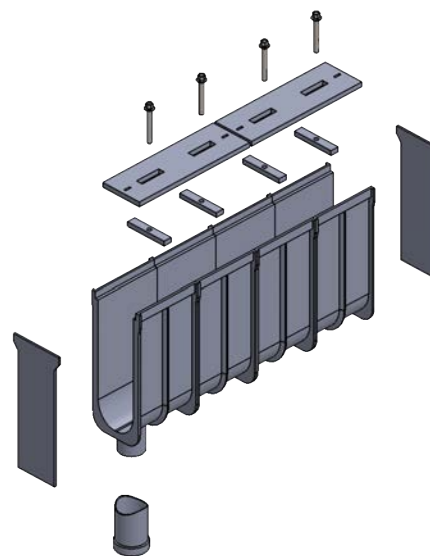
End Outlet
Accepts
Sch 40 Pipe

3" 4" 6" 8"
or 12" pipe
outlets



Swiftdrain Inline
SwiftCatch Basin

Grate Covers
to prevent
concrete from
entering
channel during
pour



End Cap

Bottom Outlet



6" hdpe series

| | |
|-------------------------------|---|
| Product Specifications | Best in class, safe, clean and simple kennel drainage. |
| Channel Material | Polymer HDPE with UV inhibitors. |
| Channel Sizes | 48" length, 6" width, 3.998" to 12.062" inner depth range |
| Grate Sizes | 24" length, 6" width |
| Grate Materials | Stainless Steel, Polymer, HDPE |
| Grate Finish | Paw Proof Grate Design, Slots are smaller than paw of dogs foot, less than 1/4" x 1/4" in size. |
| LOAD RATING | Class A = 1-160 psi. Class B = 61-175 psi. |
| PSI Strength | Compressive strength: 2832 psi. Tensile stress: 4453 psi Material flexural stress: 5782 psi. |
| Product Features | Easy and Simple to Install. Pre sloped channels are numbered and connect with slip joints like lego's. Up to 200 feet of continuous slope |
| Pipe Outlet Sizes | Accepts: 3", 4", 6", 8" Pipe. |

Sloped, Sanitary, Safe

Features:

6" wide sanitary HDPE channels

48" sections

2" radius bottom

End Outlet or Bottom Outlet

Slip joints for fast and easy connection

Extendable to 256 continuous linear feet

.7% - 1% Built in Slope

Customizable slope configurations

600 Kennel

Pre Sloped Drainage



| Part | Depth | Flow Rate | Min. Inner | Max. Inner | Min. Outer | Max. Outer | Wt. Ea. (lbs.) |
|------|-------------------------------------|-----------|------------|------------|------------|------------|----------------|
| | | GPM | Depth | Depth | Depth | Depth | |
| 600 | 3.99" Deep Neutral Slope Channel | 75 | 3.998 | 3.998 | 5.354 | 5.760 | 7.45 |
| 691 | 3.99" to 4.34" Deep Slope Channel | 75 | 3.998 | 3.998 | 5.690 | 5.770 | 7.52 |
| 691N | 4.34" Deep Neutral Slope Channel | 89 | 4.334 | 4.334 | 5.692 | 6.103 | 7.81 |
| 692 | 4.34" to 4.67" Deep Slope Channel | 89 | 4.334 | 4.670 | 6.062 | 6.106 | 7.92 |
| 693 | 4.67" to 5.00" Deep Slope Channel | 103 | 4.670 | 5.006 | 6.362 | 6.442 | 8.27 |
| 694 | 5.00" to 5.34" Deep Slope Channel | 117 | 5.006 | 5.342 | 6.698 | 6.778 | 8.64 |
| 694N | 5.34" Deep Channel | 131 | 5.342 | 5.342 | 6.700 | 7.111 | 8.93 |
| 695 | 5.34" to 5.68" Deep Slope Channel | 131 | 5.342 | 5.678 | 7.034 | 7.114 | 8.99 |
| 696 | 5.68" to 6.01" Deep Slope Channel | 145 | 5.678 | 6.014 | 7.370 | 7.450 | 9.36 |
| 697 | 6.01" to 6.35" Deep Slope Channel | 159 | 6.014 | 6.350 | 7.706 | 7.786 | 9.74 |
| 697N | 6.35" Deep Neutral Slope Channel | 173 | 6.350 | 6.350 | 7.708 | 8.119 | 10.04 |
| 698 | 6.35" to 6.69" Deep Slope Channel | 173 | 6.350 | 6.686 | 8.042 | 8.122 | 10.11 |
| 699 | 6.69" to 7.02" Deep Slope Channel | 187 | 6.686 | 7.022 | 8.378 | 8.458 | 10.48 |
| 700 | 7.02" to 7.36" Deep Slope Channel | 201 | 7.022 | 7.358 | 8.714 | 8.794 | 10.86 |
| 700N | 7.36" Deep Neutral Slope Channel | 215 | 7.358 | 7.358 | 8.716 | 9.127 | 11.16 |
| 701 | 7.36" to 7.69" Deep Slope Channel | 215 | 7.358 | 7.694 | 9.050 | 9.130 | 11.23 |
| 702 | 7.69" to 8.03" Deep Slope Channel | 229 | 7.694 | 8.030 | 9.386 | 9.466 | 11.60 |
| 703 | 8.03" to 8.37" Deep Slope Channel | 243 | 8.030 | 8.366 | 9.722 | 9.802 | 11.98 |
| 703N | 8.37" Deep Neutral Slope Channel | 257 | 8.366 | 8.366 | 9.724 | 10.135 | 12.27 |
| 704 | 8.37" to 8.70" Deep Slope Channel | 257 | 8.366 | 8.702 | 10.058 | 10.138 | 12.34 |
| 705 | 8.70" to 9.04" Deep Slope Channel | 271 | 8.702 | 9.038 | 10.394 | 10.474 | 12.71 |
| 706 | 9.04" to 9.37" Deep Slope Channel | 285 | 9.038 | 9.374 | 10.730 | 10.810 | 13.07 |
| 706N | 9.37" Deep Neutral Slope Channel | 299 | 9.374 | 9.374 | 10.732 | 11.143 | 13.39 |
| 707 | 9.37" to 9.70" Deep Slope Channel | 299 | 9.374 | 9.710 | 11.066 | 11.146 | 13.4 |
| 708 | 9.70" to 10.05" Deep Slope Channel | 313 | 9.710 | 10.046 | 11.402 | 11.482 | 13.83 |
| 709 | 10.05" to 10.38" Deep Slope Channel | 327 | 10.046 | 10.382 | 11.738 | 11.818 | 14.20 |
| 709N | 10.38" Deep Neutral Slope Channel | 341 | 10.382 | 10.382 | 11.740 | 12.151 | 14.50 |
| 710 | 10.38" to 10.71" Slope Channel | 341 | 10.382 | 10.718 | 12.074 | 12.154 | 14.57 |
| 711 | 10.71" to 11.05" Slope Channel | 355 | 10.718 | 11.054 | 12.410 | 12.490 | 14.95 |
| 712 | 11.05" to 11.39" Slope Channel | 368 | 11.054 | 11.390 | 12.746 | 12.826 | 15.32 |
| 712N | 11.39" Deep Neutral Slope Channel | 382 | 11.390 | 11.390 | 12.785 | 13.158 | 15.6 |
| 713 | 11.39" to 11.72" Deep Slope Channel | 382 | 11.390 | 11.726 | 13.082 | 13.162 | 15.69 |
| 714 | 11.72" to 12.06" Deep Slope Channel | 396 | 11.726 | 12.062 | 13.418 | 13.498 | 16.06 |

Stainless Steel and Polymer

GRATES



Dimensions: 6" wide x 3/4" thick

Length: 24" sections

Material: Polymer or Ductile Iron - Ductile Iron is coated and primed with FoodSafe Epoxy

Open surface area of 15 square inches per foot; 20.00 GPM per foot. H-20 Load Rating. ADA compliant t,

Surface area of 15 square inches per foot; 20.00 GPM per foot.

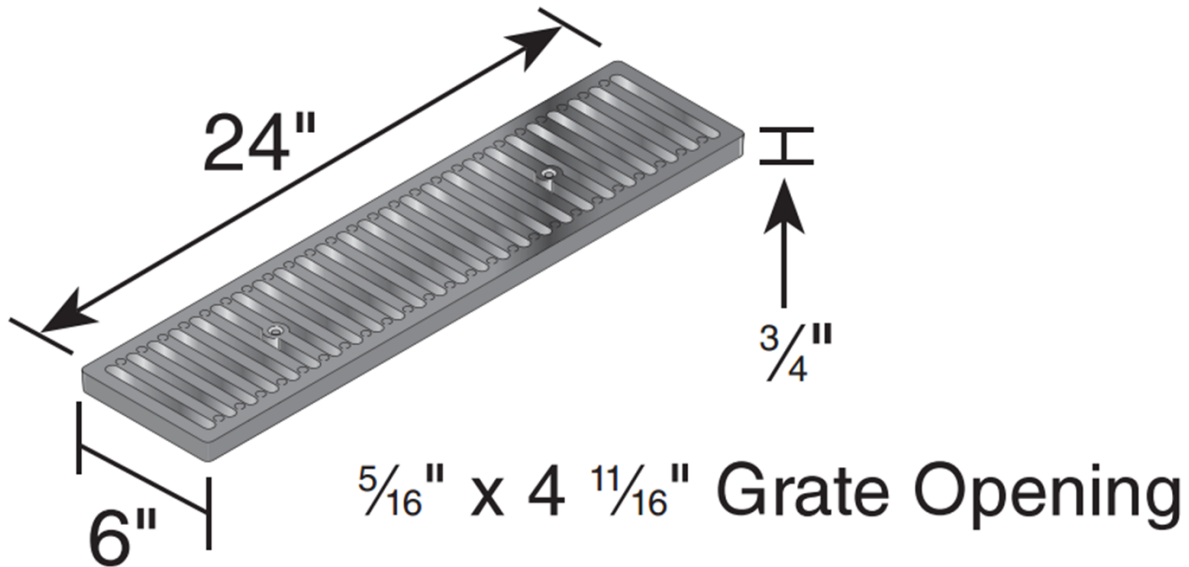
H-20 Load Rating.

PAW PROOF Grate Design - Epoxy Coated

Safe, Simple, Clean - Design

600 Series

6" Heavy Duty Trench Drain Grate



Material: Cast Iron

Color: Black

Weight:

DS-232—15.20

Grate Opening: 20.85 in² per foot

Will accommodate 63.78 gallons

per minute per foot with 1/2"

Load Recommendation Guide



Class D

- Loads of 326-575 psi.
- Recommended for heavy-duty hard tire forklifts at speeds less than 20 m.p.h., H-20 rated.

606 Epoxy Coated FoodSafe Grates

W: 6"

L: 24"

T: 3/4"

Primed and Finished with FoodSafe Epoxy - Anti Rust

Safe, Sanitary, Affordable



SwiftCatch Basin & Fur Trap

The Swiftdrain Kennel Drain 600 comes with an optional inline catch basin. The catch basin comes equipped with a stainless steel fur trap. Made out of durable and sanitary HDPE

- 6" wide seamless integration
- 27" deep
- 2 side outlet exit knockouts
- 1 bottom outlet knockout
- Accepts 3" , 4" , 6" , 8" , 12" pipe



Sanitary & Clean Fur Trap

We know dogs shed. Fur leads to clogged drains and back flow issues over time. Use our SwiftCatch Stainless steel removable fur trap for fast, easy, simple cleaning and maintenance.

Outlet Flexibility.. Choose a ..



End Outlet or Bottom Outlet

Connects to Schedule 40 Pipe

Accepts 3" 4" 6" 8" 12" pipe

Fur Trap Prevents Clogging

Universal End Cap and End Outlet Cut to Size

Trusted By:

Humane Society
ASPCA

