



P: 646-227-0910
info@swift drain.com

Your #1 Source for Trench Drain Products

5 Inch Trench Drain

Built to last. Designed with strength in mind.

The 5" trench drain system is one of the most used and versatile drainage systems used today. This system is furnished with heavy duty cast iron grates. The grate can easily be removed to clean the drain. Versatile, easy to assemble, strong, durable and tough. Drainage that lasts.

This system is every design teams dream. Designed to last for decades.

Overview

Grate Width:	5.0"
Thickness:	$\frac{3}{4}$ " (1" overall)
Sections:	20"





P: 646-227-0910
info@swift drain.com

Your #1 Source for Trench Drain Products

Cast Iron Grate

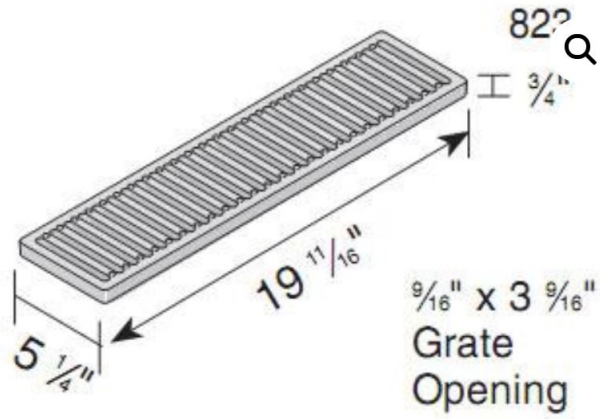


Grate Width:	5"
Thickness:	3/4"
Sections:	20"
Class:	Heavy Duty
Material:	Ductile Iron, Cast Iron
Open Area:	40 sq in / ft
Inflow:	50 GPM / FT
H2O:	Yes



P: 646-227-0910
info@swift drain.com

Your #1 Source for Trench Drain Products

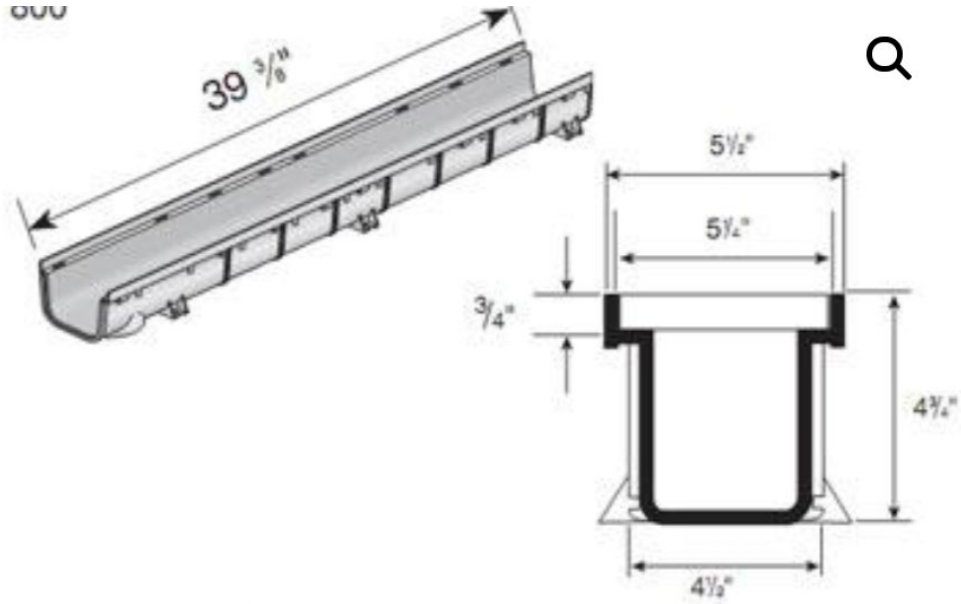




P: 646-227-0910
info@swift drain.com

Your #1 Source for Trench Drain Products

Channel Specifications



Sections: 4' sections



P: 646-227-0910
info@swift drain.com

Your #1 Source for Trench Drain Products

Interlocking joints, so connections are made quickly and easily. The modular design offers flexibility as each 20" section of channel can be snapped together for longer runs or divided down to lengths as short as 4" for smaller, interlocking sections.

Lightweight parts connect easily to sewer and drain pipe and fittings or SCH 40 pipe and fittings, and side and bottom outlets can be connected anywhere along the channel run.

- Create a channel as long as you need, or reduce to lengths as short as 4" for smaller, interlocking sections.
- End cap/knock-out end and outlet fitting simplifies assembly and installation.
- Flexible and easy: side and bottom outlets can be inserted at any location along the channel run.
- Available in four widths: 3", 5", 8" and 12"
- Available in two depths: deep for heavy flows, shallow for slabs or where little fall depth is available.
- Modular design comes in 1/2 meter (19 11/16") and 1 meter (39 3/8") pieces with interlocking end joints
- Joints eliminate couplings and are specially designed to withstand concrete expansion and contraction.