



Your #1 Source for Trench Drain Products

Swift drain.com

Sierra Pro 8" Residential Trench System

Built to last. Designed with strength and aesthetics in mind.

The Sierra Pro is the perfect trench drain system for every residence. The grates are 8" wide and made out of ductile iron. Comes in 20" sections for fast and easy installation. Class C to handle all road traffic. Versatile, easy to assemble, strong, durable and tough. Drainage that lasts.

These cast iron grates are every engineer and design teams dream. Made in ductile iron, they are capable of withstanding the heaviest cars and trucks. Designed to last for decades.

The most durable trench drain system used today.

Overview

Grate Width:	8"
Thickness:	3/4"
Sections:	20"



Your #1 Source for Trench Drain Products

Swift drain.com

Sierra Pro Residential Trench Drain





Your #1 Source for Trench Drain Products

Swift drain.com

Sierra 8" Grate



Grate Width:	8"
Thickness:	3/4"
Sections:	20" and 24"
Class:	Class C for heaviest loads
Material:	Ductile Iron, Cast Iron
Open Area:	40 sq in / ft



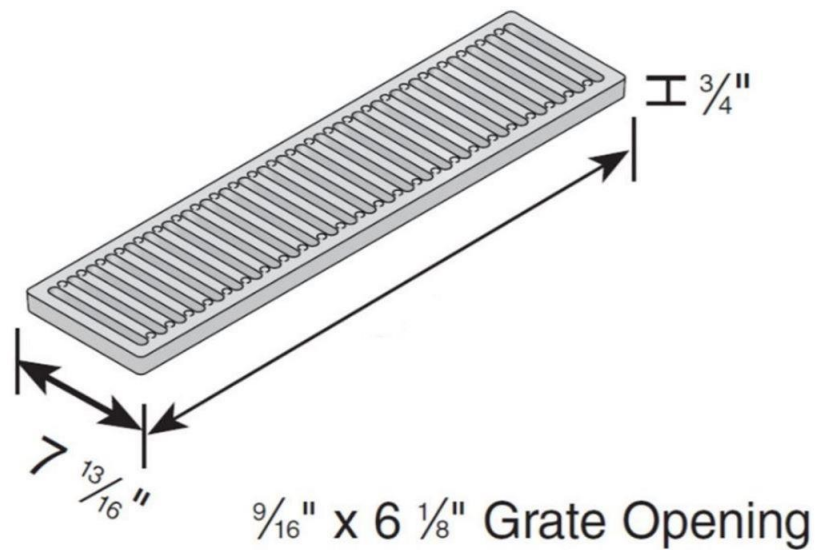
Your #1 Source for Trench Drain Products

Swift drain.com

Inflow: 50 GPM / FT

H2O: Yes

8" Grate Specification



Material: Cast Iron
Color: Black/Cast Iron

Grate Opening: 9/16" x 6-1/8"
Open Surface Area: 23.3 Sq. Inches Per Foot.
Head Pressure / Flow rate:
3" = 174.59 GPM per Foot.
1" = 100.8 GPM per Foot
0.5" = 71.28 GPM per Foot



Class C

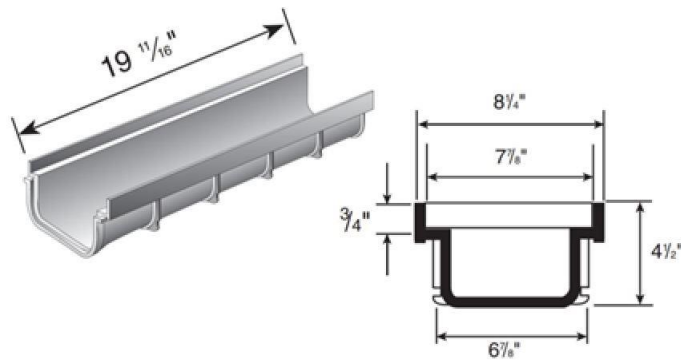
- Loads of 176-325 psi.
- Recommended for heavy-duty pneumatic tire forklifts and tractor trailers at speeds less than 20 m.p.h., H-20 rated.



Your #1 Source for Trench Drain Products

Swift drain.com

8" Shallow Profile Channel



Optional End Cap Pipe Connector

