



Your #1 Source for Trench Drain Products

Swift Drain.com

Swift Drain 8 Trench Drain System

Built to last. Designed with strength and durability in mind.

The Swift Drain 8 series combines smart engineering and intuitive materials solving the toughest drainage challenges. The HDPE channels and extensive grate options offer superior impact resistance suitable for handling a high load capacity and achieve maximum flow rates.

Versatile, easy to assemble, strong, durable and tough. Drainage that lasts. Designed to last for decades.

The most durable trench drain system used today.

Overview

Grate Width:	8"
Thickness:	3/4"
Sections:	20"





Your #1 Source for Trench Drain Products

Swift drain.com

Specifications



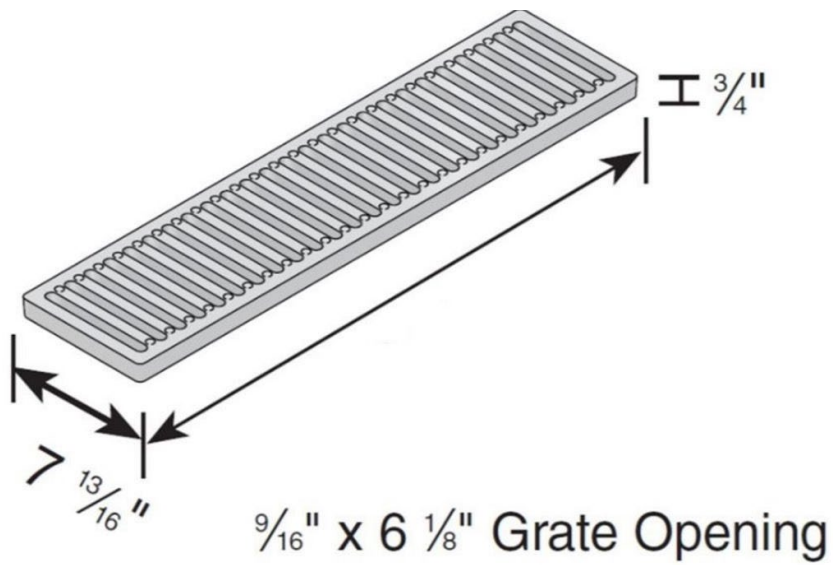
Grate Width:	8"
Thickness:	3/4"
Sections:	24"
Material:	Ductile Iron, Cast Iron, Polymer



Your #1 Source for Trench Drain Products

Swift drain.com

8" Grate Specification



Material: Cast iron, ductile iron or polymer

Max Flow Slot Style



Your #1 Source for Trench Drain Products

Swift drain.com

Channel Drain

