

# POLYCAST<sup>®</sup>

## 900 Series

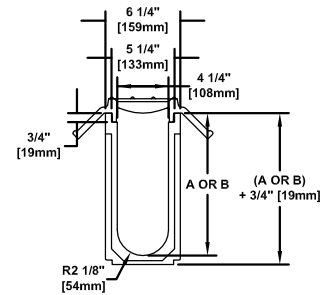
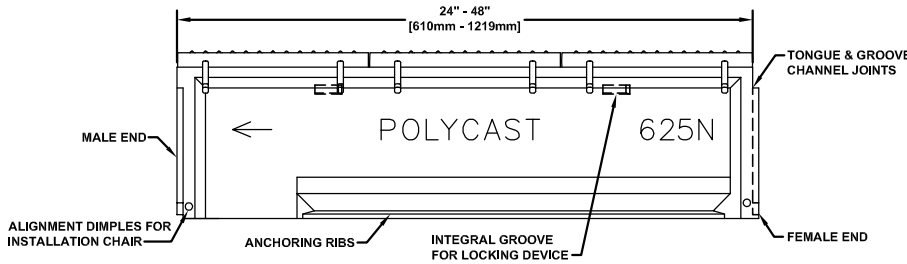
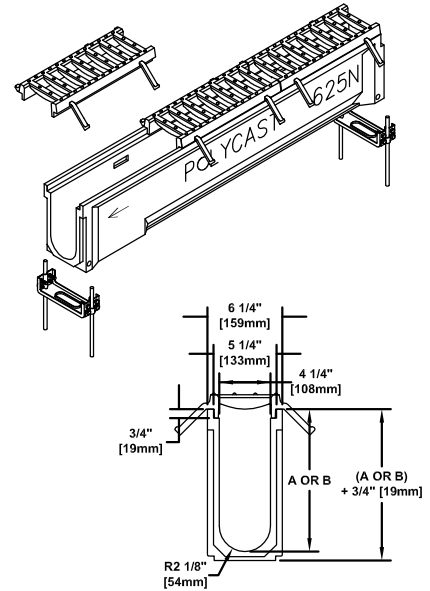
w/ Non-Removable Grates  
Pre-Sloped Extra Heavy Duty System

PROJECT ID/ CONTRACT NO: \_\_\_\_\_

LOCATION: \_\_\_\_\_

### ENGINEERING SPECIFICATION:

POLYCAST<sup>®</sup> 900 Series Pre-Sloped Trench Drain System is a .65% sloped trench drain, with 6 1/4" [159mm] wide x a nominal 48" [1219mm] long (standard) polyester polymer concrete channels with tongue and groove connections. Channels 605 / 610 / 615 / 620 / 625 and non-sloping (neutrals) will be supplied with drill out for a 4" [102mm] bottom outlet. Installation chairs and end caps with a 4" [102mm] drain drill out as required. Installation chairs are recommended for installation of drainage channels.



Channel	Part No.
<input checked="" type="checkbox"/> Polyester Concrete Channels	DP06 ___
<input type="checkbox"/> Vinyl Ester Concrete Channels	DV06 ___

Grate Options (Select One)		
Grate Type	Part No.	Load Class
<input checked="" type="checkbox"/> One-Piece (Non-Removable) Ductile Frame & Grate	DG0900	Class F
Options (Select All That Apply)	Part No.	Additional Specifications:
<input type="checkbox"/> Drain End Cap (6" Outlet)	DA0620D6	
<input type="checkbox"/> Installation Alignment Chair	DA0633	
<input type="checkbox"/> Extender Panels	DP0660	
<input type="checkbox"/> Shovel Head	DA0661	
<input type="checkbox"/> 4" Strainer (For Bottom/End Outlet)	DA0662	
<input type="checkbox"/> End Cap (Inlet/Outlet)	DA0670M/DA0670	
<input type="checkbox"/> Channel Adaptor (Male/Female)	DP0699M/DP0699F	

### Meets the following Standards & Specifications:

- Federal Aviation Administration (FAA) Advisory Circular Airport Pavement Design and Evaluation (AC 150/5320-6D Appendix 3 Design of Structures for Heavy Aircraft)
- ASTM Standard D543, Test Method for Resistance of Plastics to Chemical Reagents
- ASTM Standard D570, Test Method for Water Absorption of Plastic
- ASTM Standard D576, Practice for Determination of Weight and Shape Change of Plastics Under Accelerated Service Conditions
- ASTM Standard G53, Recommended Practice for Operating Light and Water Exposure Apparatus for Exposure of Non-Metallic Materials
- ASTM Standard C78, Test Method for Flexural Strength of Concrete
- ASTM Standard C579, Test Method for Compressive Strength of Chemical Resistant Mortars and Monolithic Surfacing's
- ASTM Standard B117, Standard Practice for Operating Salt Spray (Fog) Apparatus
- AASHTO Highway Drainage Guidelines
- AASHTO Standard Specification for Highway Bridges
- Exceeds 686lbs/ft [10kN/m] pullout per Caltrans Specifications