



DG0900

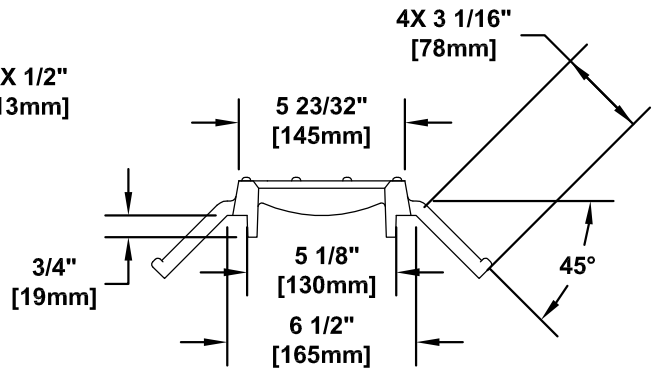
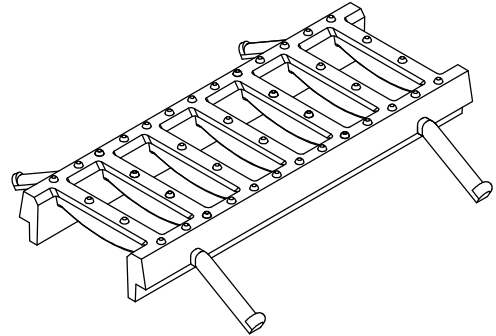
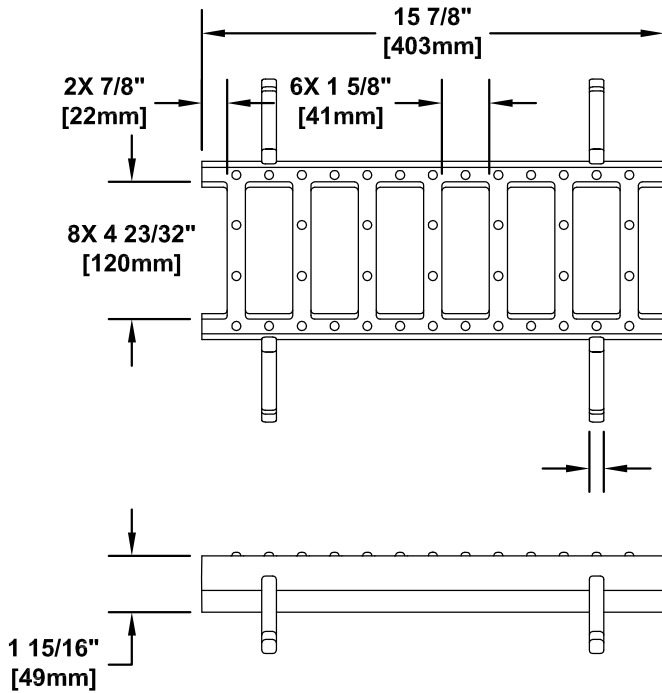
One-Piece Ductile Iron
Grate & Frame

PROJECT ID/
CONTRACT NO: _____

LOCATION: _____

ENGINEERING SPECIFICATION:

POLYCAST® Heavy Duty Ductile Iron Grate & Frame designed to support dynamic high speed wheel loads in excess of AASHTO H-20. The grate is one-piece and non-removable. The grate has 60% (54in²) of open area. The grate is made of ASTM A536 GR. 65-45-12 (ductile iron) and weighs approximately 15lbs [6.80kg]. The grate is only available in a 16" [406mm] length.



DIN APPLICATION LOAD CLASS D:
Trafficked sections of roads and highways
Designed for a distributed pressure of 89,920 lbs (400 kN).

Meets the following Standards & Specifications:

- DIN 19580 / DIN EN 1433 Drainage Channels for Vehicular and Pedestrian Areas
- Federal Aviation Administration (FAA) Advisory Circular AC 150/5320-6E Appendix 3. Design of Structures for Heavy Airplanes
- AASHTO H-20 and H-25 per AASHTO M-306 Drainage, Sewer, Utility and Related Castings



www.polycastdrain.com
Toll Free Number:
1-800-346-3062