

SPECIFICATION:

JOSAM SERIES 46400 FABRICATED STAINLESS STEEL (TYPE 304, 2mm THK), 8" WIDE, V-SHAPED BOTTOM, AVAILABLE WITH OR WITHOUT SLOPE (1% STD.), WITH ANCHOR TABS AND LEVELING FEET, NO-HUB BOTTOM OUTLET AND GRATE OPTIONS. RUN LENGTHS LONGER THAN 13' PROVIDED WITH FLANGES AND GASKETS.

SS TRENCH CHANNEL

8" WIDE

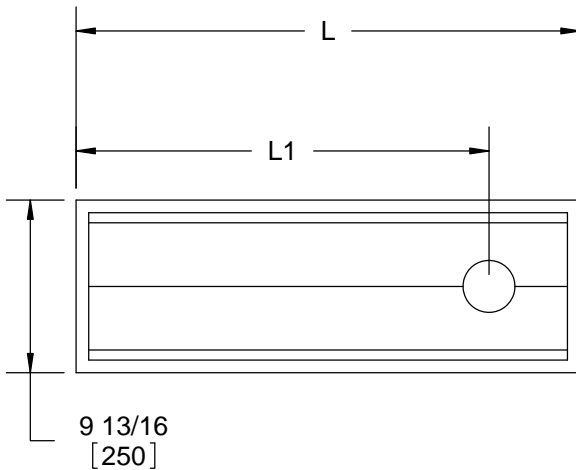
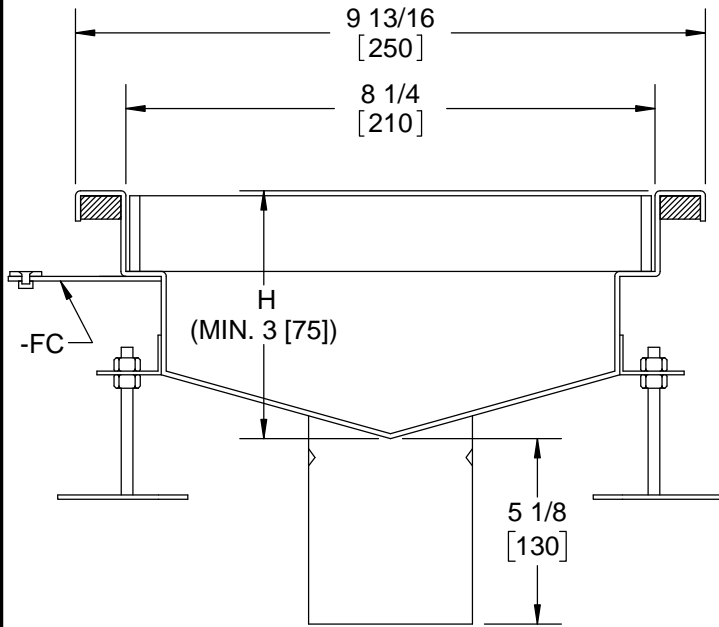
SERIES **46400** (XY)

SEE 46400 TOPS DRAWING FOR GRATE DETAILS

SPECIFICATIONS:

- LINEAR RUN
 - TOTAL RUN LENGTH (L) = _____
 - START HEIGHT (H1) (STD. 3" [75]) = _____
 - HEIGHT AT OUTLET (H2) = _____
 - OR STD 1% SLOPE
 - OUTLET AT END OF RUN
 - OUTLET MID-RUN (SPEC. LENGTH L1) = _____

- NON-LINEAR RUN
 - PROVIDE SKETCH WITH CRITICAL LENGTH AND HEIGHT DIMENSIONS AND OUTLET LOCATION(S).



AUTHORIZED PROJECT SIGNATURE AND DATE:

NAME:

TITLE:

SIGNATURE:

DATE:

NOTE: ALL SS TRENCH CHANNELS ARE CUSTOM FABRICATED. ORDERS ARE NON-CANCELLABLE AND NON-RETURNABLE.

* 2" AND 3" OUTLETS USE FLAT STRAINER

OPTIONS:

| | |
|------|-------------------------------------|
| -FB | FILTER BASKET* |
| -SB | SEDIMENT BUCKET (N/A 2",3") |
| -VP | SECURED GRATE |
| -316 | TYPE 316L MATERIAL |
| -BW | BUTT-WELD OUTLET (SPEC. 10, 40, 80) |
| -PF | PUSH-FIT OUTLET DIAMETER |
| -FC | FLANGE AND CLAMP |

X = GRATE TYPE

| | |
|---|------------------------|
| 0 | NO GRATE |
| 1 | PERFORATED SHEET GRATE |
| 2 | ANTI-SLIP MESH GRATE |
| 3 | PERIMETER SLOT GRATE |
| 4 | LADDER GRATE |

Y = OUTLET SIZE

| |
|----|
| 2" |
| 3" |
| 4" |
| 6" |

WARNING: Cancer and Reproductive Harm - www.P65Warnings.ca.gov

DATE OF LAST CHANGE: 7/17/18

DIMENSIONS ARE SUBJECT TO MANUFACTURERS TOLERANCES AND CHANGE WITHOUT NOTICE. WE CAN ASSUME NO RESPONSIBILITY FOR USE OF SUPERSEDED OR VOID DATA.



MICHIGAN CITY, INDIANA

NOTES