

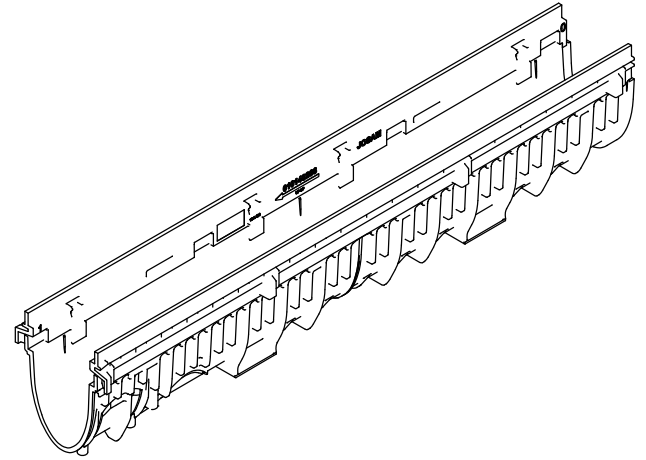
SPECIFICATION:

MEA - JOSAM 100C SERIES CHANNELS SHALL BE 39.4" (1000) LONG WITH 4" (102) INTERNAL WIDTH AND RADIUSED BOTTOM. INTERCONNECTING CHANNEL SECTIONS SHALL BE MADE OF SMC/GRP (SHEET MOLDING COMPOUND/GLASS REINFORCED POLYESTER) MATERIAL AND AVAILABLE WITH AND WITHOUT SLOPE. CHANNEL SUPPORT BRACKETS CAPABLE OF ACCEPTING RE-BAR, END OUTLETS, BOTTOM OUTLETS, ENDCAPS, AND CORNER/T CONNECTORS SHALL BE AVAILABLE. GRATE OPTIONS FOR LOADING CLASSES A-E WITH PRESSURE OR LOCKING BOLT SECURING DEVICES AND DUCTILE IRON RAIL TO PROTECT CHANNEL EDGES SHALL BE AVAILABLE.

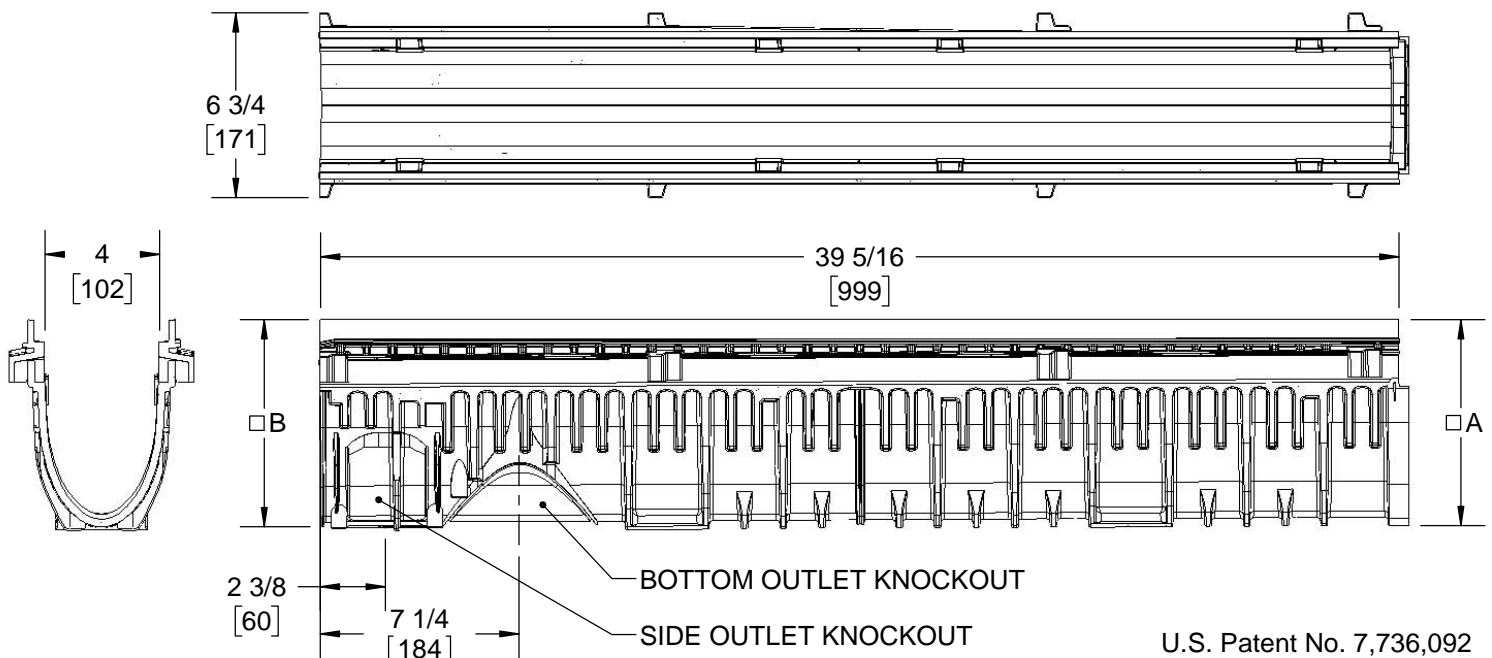
**PRO-PLUS
4" INTERNAL WIDTH**

SERIES 100C

PART NUMBER	DIM "A"	DIM "B"	WEIGHT (LBS)
100C	6.2	6.2	9.2
100C01	7.5	7.7	12.4
100C02	7.7	7.9	12.6
100C03	7.9	8.1	12.8
100C04	8.1	8.3	12.9
100C05	8.3	8.5	13.1
100C05N	8.5	8.5	13.3
100C06	8.5	8.7	13.4
100C07	8.7	8.9	13.6
100C08	8.9	9.1	13.8
100C09	9.1	9.3	14.0
100C10	9.3	9.5	14.2
100C11	9.5	9.7	17.1
100C12	9.7	9.9	17.3
100C13	9.9	10.1	17.5
100C14	10.1	10.3	17.6
100C15	10.3	10.5	17.8
100C15N	10.5	10.5	18.0
100C16	10.5	10.7	18.1
100C17	10.7	10.9	18.3
100C18	10.9	11.1	18.5
100C19	11.1	11.3	18.7
100C20	11.3	11.5	18.9



□ NOTE: ADD 1.2" WHEN FURNISHED WITH DI FRAME 152431



U.S. Patent No. 7,736,092

DATE OF LAST CHANGE: 6/01/18

DIMENSIONS ARE SUBJECT TO MANUFACTURERS TOLERANCES AND CHANGE WITHOUT NOTICE. WE CAN ASSUME NO RESPONSIBILITY FOR USE OF SUPERSEDED OR VOID DATA.



MICHIGAN CITY, INDIANA

NOTES