



800 Series MAXI

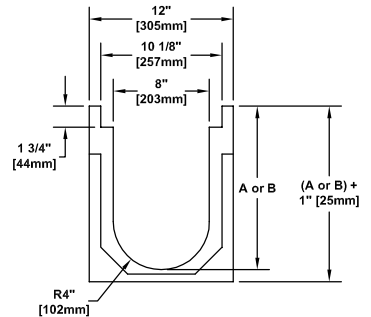
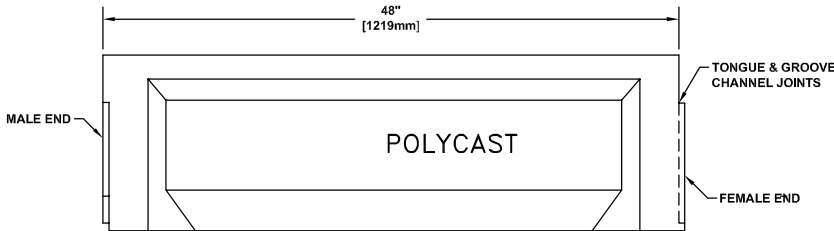
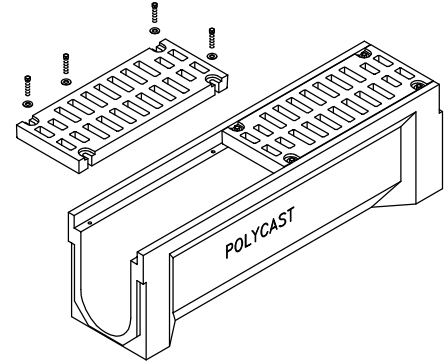
Non-Sloped
Heavy Duty System

PROJECT ID/
CONTRACT NO: _____

LOCATION: _____

ENGINEERING SPECIFICATION:

POLYCAST® 800 Series MAXI Heavy Duty System is a non-sloping trench drain, with 12" [305mm] wide x 48" [1219mm] long (standard) polyester polymer concrete channels with tongue and groove connections. End caps with a 4" [102mm], 6" [152mm] or a 8" [203mm] drain drill out as required.



<input checked="" type="checkbox"/>	Channel Number	Weight (LBS.)	Inlet Dim 'A'	Outlet Dim 'B'
<input type="checkbox"/>	825B w/ 4" Bottom Drill Out (Non-Sloped)	165	13-3/4	13-3/4
Grate Options (Select One)				
<input checked="" type="checkbox"/>	Grate Type	Part No.	Load Class	
<input type="checkbox"/>	MAXI/ Fiberglass	DG0844	Class D	
<input type="checkbox"/>	MAXI/ Cast Iron Slotted	DG0841	Class E	
<input type="checkbox"/>	MAXI/ Cast Iron Solid	DG0842	Class E	
<input checked="" type="checkbox"/>	Options (Select All That Apply)	Part No.	Additional Specifications:	
<input type="checkbox"/>	Vinyl Ester Concrete Channels	DV0825B		
<input type="checkbox"/>	Closed End Cap (Inlet/Outlet)	DP0825C		
<input type="checkbox"/>	Drain End Cap (4" Outlet)	DP0825DM4		
<input type="checkbox"/>	Drain End Cap (6" Outlet)	DP0825DM6		
<input type="checkbox"/>	Drain End Cap (8" Outlet)	DP0825DM8		

Meets the following Standards & Specifications:

- Federal Aviation Administration (FAA) Advisory Circular Airport Pavement Design and Evaluation (AC 150/5320-6D Appendix 3 Design of Structures for Heavy Aircraft)
- ASTM Standard D543, Test Method for Resistance of Plastics to Chemical Reagents
- ASTM Standard D570, Test Method for Water Absorption of Plastic
- ASTM Standard D576, Practice for Determination of Weight and Shape Change of Plastics Under Accelerated Service Conditions
- ASTM Standard G53, Recommended Practice for Operating Light and Water Exposure Apparatus for Exposure of Non-Metallic Materials
- ASTM Standard C78, Test Method for Flexural Strength of Concrete
- ASTM Standard C579, Test Method for Compressive Strength of Chemical Resistant Mortars and Monolithic Surfacing's
- AASHTO Highway Drainage Guidelines
- AASHTO Standard Specification for Highway Bridges



www.polycastrain.com
Toll Free Number:
1-800-346-3062