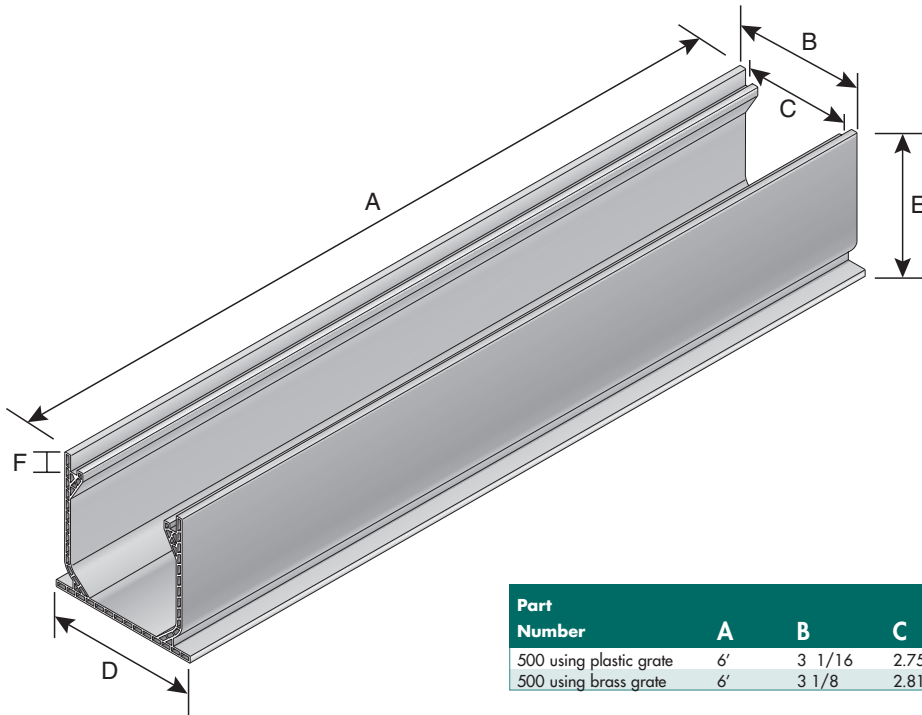


Mini Channel™ Drains



Dimension Key

- A: Length of channel
- B: Outer width of top of channel
- C: Inside width of the top of channel
- D: Width of the bottom of the channel
- E: Height of channel
- F: Height of grate lip
- G: Weight

Part Number	A	B	C	D	E	F	G
500 using plastic grate	6'	3 1/16	2.75	3.5	3.13	0.25	4 (channel only)
500 using brass grate	6'	3 1/8	2.8125	3.5	3.13	0.25	4 (channel only)

Load Recommendation Guide



Class A

- Loads of 1-60 psi.
- Recommended for pedestrians, bicycles and wheel chair traffic.

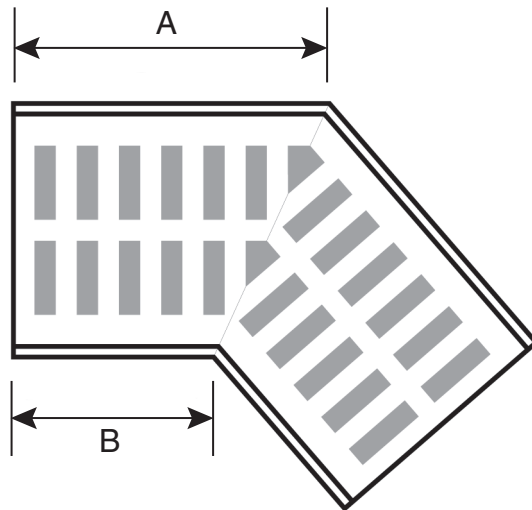


Class B

- Loads of 61-175 psi.
- Recommended for medium-duty pneumatic tire traffic, autos and light trucks at speeds less than 20 m.p.h.

Note: Some installations may require a concrete collar to meet load rating. Loads are based on encasing product in concrete. Product must be installed using NDS instructions.

Mini Channel™ Accessories Fabricated 45° Elbow with Grate



Dimension Key

- A: Exterior length of channel before bend
- B: Interior length of channel before bend
- C: Weight

*note: Please see catalog

Part Number	A	B	C
5300	3 5/8	1 3/8	0.4
5301	3 5/8	1 3/8	0.4
5302	3 5/8	1 3/8	0.4
5303	3 5/8	1 3/8	0.4
5304	3 5/8	1 3/8	0.4
5305	3 5/8	1 3/8	0.4

Load Recommendation Guide



Class A

- Loads of 1-60 psi.
- Recommended for pedestrians, bicycles and wheel chair traffic.

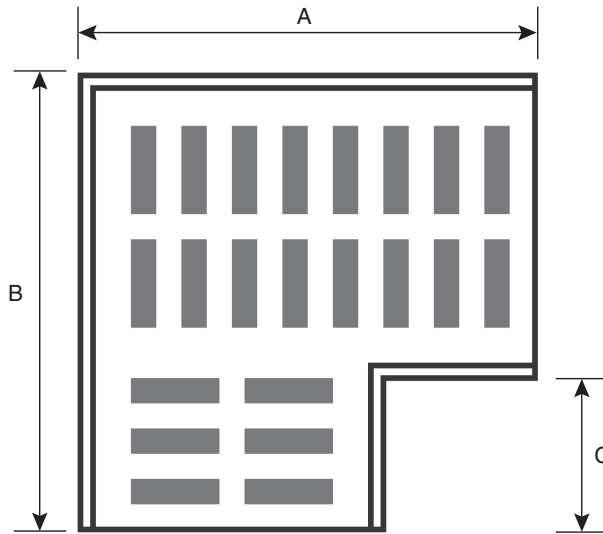


Class B

- Loads of 61-175 psi.
- Recommended for medium-duty pneumatic tire traffic, autos and light trucks at speeds less than 20 m.p.h.

Note: Some installations may require a concrete collar to meet load rating. Loads are based on encasing product in concrete. Product must be installed using NDS instructions.

Mini Channel™ Accessories Fabricated 90° Elbow with Grate



Dimension Key

- A: Width
- B: Height
- C: Height of Branch
- D: Weight

*note: Please see catalog

Part Number	A	B	C	D
5380	4 1/2	4 1/4	1.5	.4
5381	4 1/2	4 1/4	1.5	.4
5382	4 1/2	4 1/4	1.5	.4
5383	4 1/2	4 1/4	1.5	.4
5384	4 1/2	4 1/4	1.5	.4
5385	4 1/2	4 1/4	1.5	.4

Load Recommendation Guide



Class A

- Loads of 1-60 psi.
- Recommended for pedestrians, bicycles and wheel chair traffic.



Class B

- Loads of 61-175 psi.
- Recommended for medium-duty pneumatic tire traffic, autos and light trucks at speeds less than 20 m.p.h.

Note: Some installations may require a concrete collar to meet load rating. Loads are based on encasing product in concrete. Product must be installed using NDS instructions.

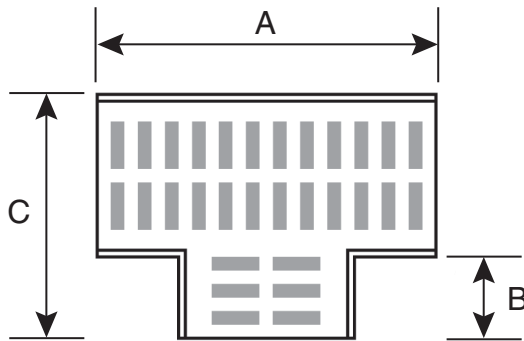


NDS Customer Service

851 N. Harvard Ave, Lindsay, CA 93247
Phone: (800) 726-1994 • (559) 562-9888
Fax: (800) 726-1998 • (559) 562-4488

www.NDSPRO.com

Mini Channel™ Accessories Fabricated Tee with Grate



Dimension Key

- A: Width of top of T
- B: Height of branch
- C: Height from top of T to bottom of branch
- D: Weight

*note: Please see catalog

Part Number	A	B	C	D
5370	6 1/8	1 1/2	4.5	.5
5371	6 1/8	1 1/2	4.5	.5
5372	6 1/8	1 1/2	4.5	.5
5373	6 1/8	1 1/2	4.5	.5
5374	6 1/8	1 1/2	4.5	.5
5375	6 1/8	1 1/2	4.5	.5

Load Recommendation Guide



Class A

- Loads of 1-60 psi.
- Recommended for pedestrians, bicycles and wheel chair traffic.



Class B

- Loads of 61-175 psi.
- Recommended for medium-duty pneumatic tire traffic, autos and light trucks at speeds less than 20 m.p.h.

Note: Some installations may require a concrete collar to meet load rating. Loads are based on encasing product in concrete. Product must be installed using NDS instructions.



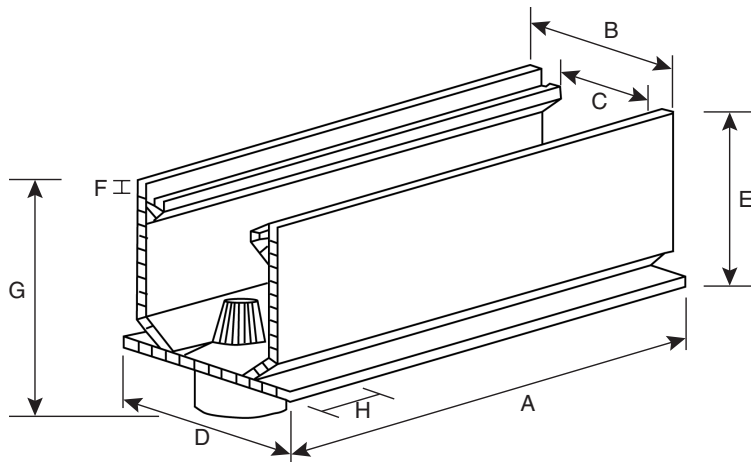
NDS Customer Service

851 N. Harvard Ave, Lindsay, CA 93247
Phone: (800) 726-1994 • (559) 562-9888
Fax: (800) 726-1998 • (559) 562-4488

www.NDSPRO.com

Mini Channel™ Accessories

3' Long Channel with 2" Sch. 40 Spigot Bottom Outlet



Dimension Key

- A: Length of channel
- B: Outer width of top of channel
- C: Inside width of the top of channel
- D: Width of the bottom of the channel
- E: Height of channel
- F: Height of grate lip
- G: Height from top of channel to bottom of outlet
- H: From end of channel to center of outlet
- I: Weight

Part Number	A	B	C	D	E	F	G	H	I
550 using plastic grate	3'	3 1/16	2.75	3.5	3.13	0.25	4 1/2	3.75	2.17 (channel only)
550 using Brass grate	3'	3 1/8	2.8125	3.5	3.13	0.25	4 1/2	3.75	2.17 (channel only)

Load Recommendation Guide



Class A

- Loads of 1-60 psi.
- Recommended for pedestrians, bicycles and wheel chair traffic.



Class B

- Loads of 61-175 psi.
- Recommended for medium-duty pneumatic tire traffic, autos and light trucks at speeds less than 20 m.p.h.

Note: Some installations may require a concrete collar to meet load rating. Loads are based on encasing product in concrete. Product must be installed using NDS instructions.