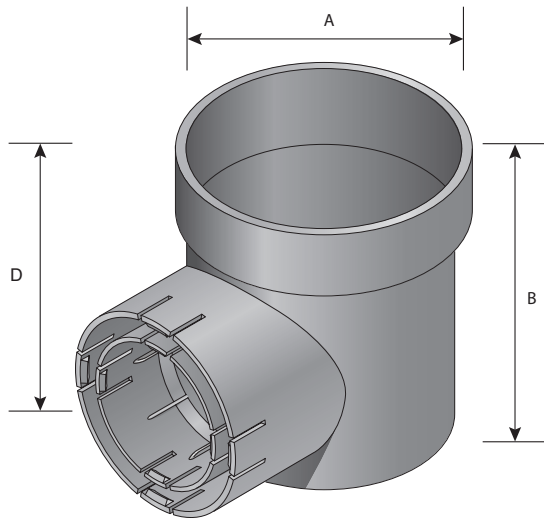


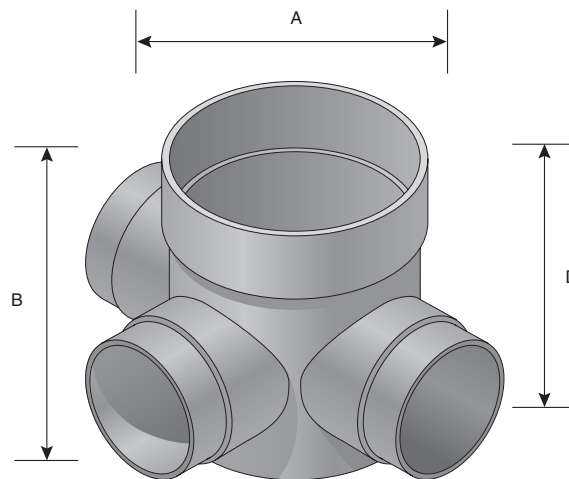
Spee-D Basins



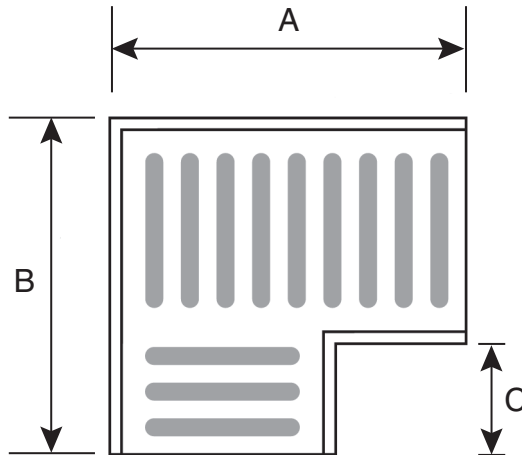
Dimension Key

- A: Diameter
- B: Height
- C: Holding Capacity
- D: Center of Flow
from top of basin
- E: Weight

Part Number	A	B	C	D	E
101	6 1/2	8 3/8	.7 gallons	4 9/16	1.6
201	6 1/2	8 3/8	.7 gallons	4 9/16	1.9
250	6 1/2	7 7/8	.7 gallons	4 3/4	1.92
300	6 1/2	7 7/8	.7 gallons	4 3/4	1.92
350	6 1/2	7 7/8	.7 gallons	4 3/4	2.25



Spee-D Accessories Fabricated 90° Elbow with Grate



Dimension Key

- A: Width
- B: Height
- C: Height of branch
- D: Weight

*note: Please see catalog

Part Number	A	B	C	D
2380	7 7/16	7 1/16	2 5/8	3
2381	7 7/16	7 1/16	2 5/8	3
2382	7 7/16	7 1/16	2 5/8	3
2383	7 7/16	7 1/16	2 5/8	3
2384	7 7/16	7 1/16	2 5/8	3
2385	7 7/16	7 1/16	2 5/8	3

Load Recommendation Guide



Class A

- Loads of 1-60 psi.
- Recommended for pedestrians, bicycles and wheel chair traffic.



Class B

- Loads of 61-175 psi.
- Recommended for medium-duty pneumatic tire traffic, autos and light trucks at speeds less than 20 m.p.h.



Class C

- Loads of 176-325 psi.
- Recommended for heavy-duty pneumatic tire forklifts and tractor trailers at speeds less than 20 m.p.h., H-20 rated.

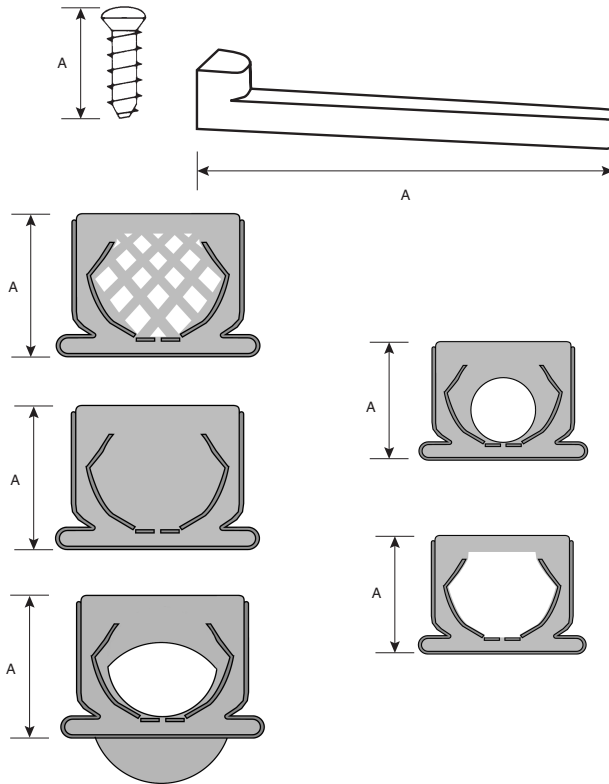


Class D

- Loads of 326-575 psi.
- Recommended for heavy-duty hard tire forklifts at speeds less than 20 m.p.h., H-20 rated.

Note: Some installations may require a concrete collar to meet load rating. Loads are based on encasing product in concrete. Product must be installed using NDS instructions.

Spee-D Accessories



Dimension Key

A: Height
B: Weight

*note: Please see catalog

Part Number	A	B
229	1	0.06
230	6	0.04
245	3 3/4	0.35
246	3 3/4	0.4
247	3 3/4	0.4
248	3 3/4	0.4
249	3 3/4	0.4

Load Recommendation Guide



Class A

- Loads of 1-60 psi.
- Recommended for pedestrians, bicycles and wheel chair traffic.

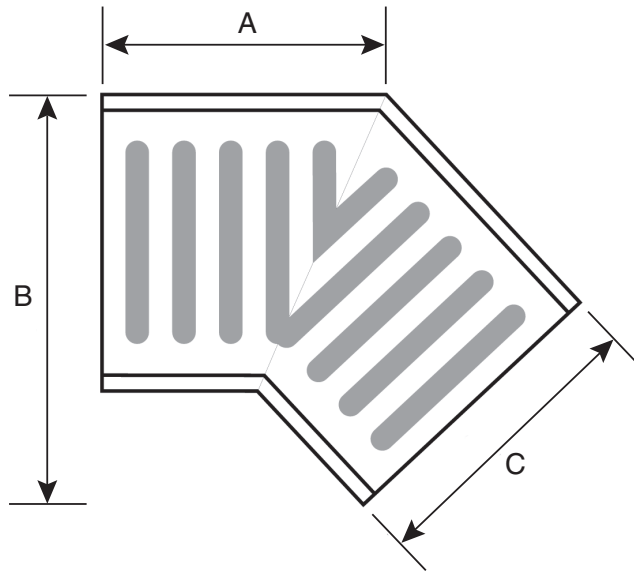


Class B

- Loads of 61-175 psi.
- Recommended for medium-duty pneumatic tire traffic, autos and light trucks at speeds less than 20 m.p.h.

Note: Some installations may require a concrete collar to meet load rating. Loads are based on encasing product in concrete. Product must be installed using NDS instructions.

Spee-D Accessories Fabricated 45° Elbow with Grate



Dimension Key

- A: Width
- B: Height
- C: Weight

*note: Please see catalog

Part Number	A	B	C
2300	4 1/2	7 1/16	2
2301	4 1/2	7 1/16	2
2302	4 1/2	7 1/16	2
2303	4 1/2	7 1/16	2
2304	4 1/2	7 1/16	2
2305	4 1/2	7 1/16	2

Load Recommendation Guide



Class A

- Loads of 1-60 psi.
- Recommended for pedestrians, bicycles and wheel chair traffic.



Class B

- Loads of 61-175 psi.
- Recommended for medium-duty pneumatic tire traffic, autos and light trucks at speeds less than 20 m.p.h.



Class C

- Loads of 176-325 psi.
- Recommended for heavy-duty pneumatic tire forklifts and tractor trailers at speeds less than 20 m.p.h., H-20 rated.



Class D

- Loads of 326-575 psi.
- Recommended for heavy-duty hard tire forklifts at speeds less than 20 m.p.h., H-20 rated.

Note: Some installations may require a concrete collar to meet load rating. Loads are based on encasing product in concrete. Product must be installed using NDS instructions.