

# Specifications

## Swift drain Kennel Drain 600

6" wide pre sloped trench drain system

Paw Proof Grates

600 series - Kennel



# 600-Kennel Drain

## Let's make this easy.

Kennel drainage may seem like a daunting task but it doesn't have to be. In fact, it can be easy.

The Swift drain Kennel Drain 600 is a best in class pre sloped kennel trench drain system used by kennels, veterinary offices and animal enclosures across the United States.

The Swift drain Kennel Drain 600 is often chosen by kennels for it's sanitary benefits, functionality and longevity. This drain will last as long as the kennel. Once installed, its very easy to maintain and clean.

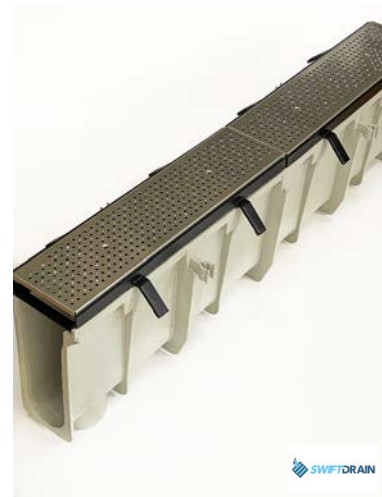
A market leader in design, materials quality, functionality and durability.

Designed with strength and durability in mind. Built to last.

Smart materials and intuitive design make the 6" wide series a market leader in trench drain systems.

The Swift drain 600 Kennel Drain is the only drain on the market with a PAW PROOF Grate Design.

Available in Stainless Steel, HDPE and Polymer.



Sloped, Sanitary, Safe



### SwiftCatch Basin & Fur Trap

The Swiftdrain Kennel Drain 600 comes with an optional inline catch basin. The catch basin comes equipped with a stainless steel fur trap. Made out of durable and sanitary HDPE

- 6" wide seamless integration
- 27" deep
- 2 side outlet exit knockouts
- 1 bottom outlet knockout
- Accepts 3" , 4" , 6" , 8" , 12" pipe



### Sanitary & Clean Fur Trap

We know dogs shed. Fur leads to clogged drains and back flow issues over time. Use our SwiftCatch Stainless steel removable fur trap for fast, easy, simple cleaning and maintenance.

Outlet Flexibility.. Choose a ..



### End Outlet or Bottom Outlet

Connects to Schedule 40 Pipe

Accepts 3" 4" 6" 8" 12" pipe

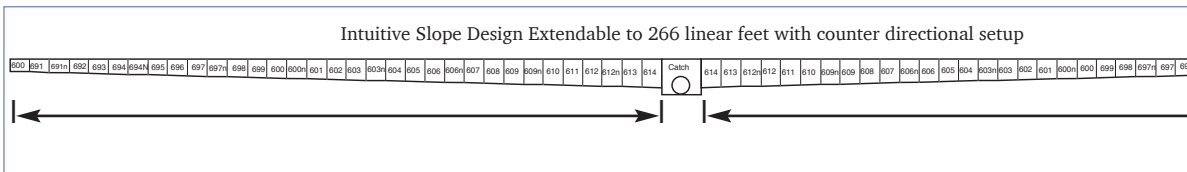
Fur Trap Prevents Clogging

Universal End Cap and End Outlet Cut to Size

# Channel Pre Slope Overview

6" Kennel Drain

Sloped, Sanitary, Safe

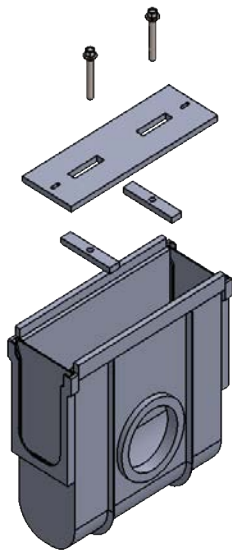


132 of Feet of continuous slope

132 Feet of continuous slope

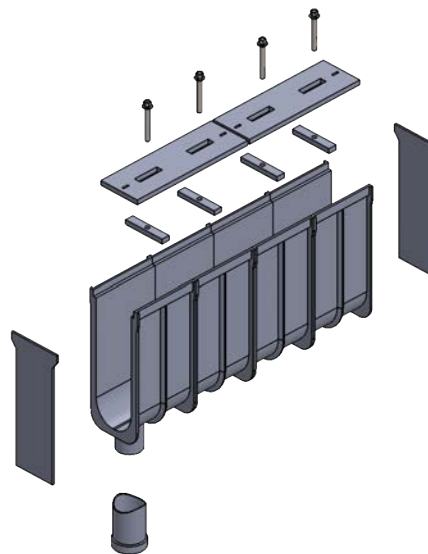
End Outlet  
Accepts  
Sch 40 Pipe

3" 4" 6" 8"  
or 12" pipe  
outlets



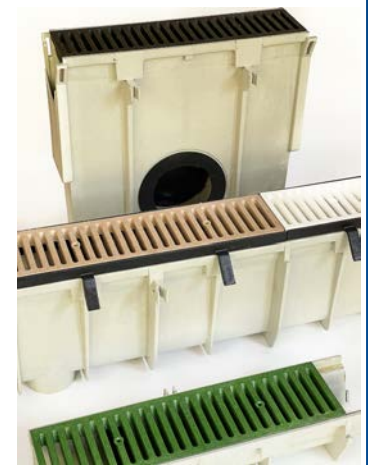
Swiftdrain Inline  
SwiftCatch Basin

Grate Covers  
to prevent  
concrete from  
entering  
channel during  
pour



End Cap

Bottom Outlet



## 6" hdpe series

<b>Product Specifications</b>	<b>Best in class, safe, clean and simple kennel drainage.</b>
Channel Material	Polymer HDPE with UV inhibitors.
Channel Sizes	48" length, 6" width, 3.998" to 12.062" inner depth range
Grate Sizes	24" length, 6" width
Grate Materials	Stainless Steel, Polymer, HDPE
Grate Finish	Paw Proof Grate Design, Slots are smaller than paw of dogs foot, less than 1/4" x 1/4" in size.
LOAD RATING	Class A = 1-160 psi. Class B = 61-175 psi.
PSI Strength	Compressive strength: 2832 psi. Tensile stress: 4453 psi Material flexural stress: 5782 psi.
Product Features	Easy and Simple to Install. Pre sloped channels are numbered and connect with slip joints like lego's. Up to 200 feet of continuous slope
Pipe Outlet Sizes	Accepts: 3", 4", 6", 8" Pipe.

Sloped, Sanitary, Safe

**Features:**

6" wide sanitary HDPE channels

48" sections

2" radius bottom

End Outlet or Bottom Outlet

Slip joints for fast and easy connection

Extendable to 256 continuous linear feet

.7% - 1% Built in Slope

Customizable slope configurations

# 600 Kennel

## Pre Sloped Drainage



Part	Depth	Flow Rate	Min. Inner	Max. Inner	Min. Outer	Max. Outer	Wt. Ea. (lbs.)
		GPM	Depth	Depth	Depth	Depth	
600	3.99" Deep Neutral Slope Channel	75	3.998	3.998	5.354	5.760	7.45
691	3.99" to 4.34" Deep Slope Channel	75	3.998	3.998	5.690	5.770	7.52
691N	4.34" Deep Neutral Slope Channel	89	4.334	4.334	5.692	6.103	7.81
692	4.34" to 4.67" Deep Slope Channel	89	4.334	4.670	6.062	6.106	7.92
693	4.67" to 5.00" Deep Slope Channel	103	4.670	5.006	6.362	6.442	8.27
694	5.00" to 5.34" Deep Slope Channel	117	5.006	5.342	6.698	6.778	8.64
694N	5.34" Deep Channel	131	5.342	5.342	6.700	7.111	8.93
695	5.34" to 5.68" Deep Slope Channel	131	5.342	5.678	7.034	7.114	8.99
696	5.68" to 6.01" Deep Slope Channel	145	5.678	6.014	7.370	7.450	9.36
697	6.01" to 6.35" Deep Slope Channel	159	6.014	6.350	7.706	7.786	9.74
697N	6.35" Deep Neutral Slope Channel	173	6.350	6.350	7.708	8.119	10.04
698	6.35" to 6.69" Deep Slope Channel	173	6.350	6.686	8.042	8.122	10.11
699	6.69" to 7.02" Deep Slope Channel	187	6.686	7.022	8.378	8.458	10.48
700	7.02" to 7.36" Deep Slope Channel	201	7.022	7.358	8.714	8.794	10.86
700N	7.36" Deep Neutral Slope Channel	215	7.358	7.358	8.716	9.127	11.16
701	7.36" to 7.69" Deep Slope Channel	215	7.358	7.694	9.050	9.130	11.23
702	7.69" to 8.03" Deep Slope Channel	229	7.694	8.030	9.386	9.466	11.60
703	8.03" to 8.37" Deep Slope Channel	243	8.030	8.366	9.722	9.802	11.98
703N	8.37" Deep Neutral Slope Channel	257	8.366	8.366	9.724	10.135	12.27
704	8.37" to 8.70" Deep Slope Channel	257	8.366	8.702	10.058	10.138	12.34
705	8.70" to 9.04" Deep Slope Channel	271	8.702	9.038	10.394	10.474	12.71
706	9.04" to 9.37" Deep Slope Channel	285	9.038	9.374	10.730	10.810	13.07
706N	9.37" Deep Neutral Slope Channel	299	9.374	9.374	10.732	11.143	13.39
707	9.37" to 9.70" Deep Slope Channel	299	9.374	9.710	11.066	11.146	13.4
708	9.70" to 10.05" Deep Slope Channel	313	9.710	10.046	11.402	11.482	13.83
709	10.05" to 10.38" Deep Slope Channel	327	10.046	10.382	11.738	11.818	14.20
709N	10.38" Deep Neutral Slope Channel	341	10.382	10.382	11.740	12.151	14.50
710	10.38" to 10.71" Slope Channel	341	10.382	10.718	12.074	12.154	14.57
711	10.71" to 11.05" Slope Channel	355	10.718	11.054	12.410	12.490	14.95
712	11.05" to 11.39" Slope Channel	368	11.054	11.390	12.746	12.826	15.32
712N	11.39" Deep Neutral Slope Channel	382	11.390	11.390	12.785	13.158	15.6
713	11.39" to 11.72" Deep Slope Channel	382	11.390	11.726	13.082	13.162	15.69
714	11.72" to 12.06" Deep Slope Channel	396	11.726	12.062	13.418	13.498	16.06

## Stainless Steel and Polymer

## GRATES



Dimensions: 6" wide x 3/4" thick

Length: 24" sections

Material: Polymer or 304 Stainless Steel

Open surface area of 15 square inches per foot; 20.00

GPM per foot. H-20 Load Rating. ADA compliant t,

Surface area of 15 square inches per foot; 20.00 GPM  
per foot.

H-20 Load Rating.

PAW PROOF Grate Design

Sloped, Sanitary, Safe



### SwiftCatch Basin & Fur Trap

The Swiftdrain Kennel Drain 600 comes with an optional inline catch basin. The catch basin comes equipped with a stainless steel fur trap. Made out of durable and sanitary HDPE

- 6" wide seamless integration
- 27" deep
- 2 side outlet exit knockouts
- 1 bottom outlet knockout
- Accepts 3" , 4" , 6" , 8" , 12" pipe



### Sanitary & Clean Fur Trap

We know dogs shed. Fur leads to clogged drains and back flow issues over time. Use our SwiftCatch Stainless steel removable fur trap for fast, easy, simple cleaning and maintenance.

Outlet Flexibility.. Choose a ..



### End Outlet or Bottom Outlet

Connects to Schedule 40 Pipe

Accepts 3" 4" 6" 8" 12" pipe

Fur Trap Prevents Clogging

Universal End Cap and End Outlet Cut to Size



Trusted By:

Humane Society  
ASPCA

