

# Swiftdrain 600

## 600 Series

6" wide pre sloped trench drain system



## Swiftdrain 600

The most cost effective and functional linear drainage system on the market today.

**Intuitive, Functional, Versatile, Cost Effective.**

Best in Class High Density Polyethylene HDPE Trench Drain System

A variety of grate options to choose from in ductile iron, cast iron, decorative, stainless steel, galvanized steel and polymer

Swiftdrain 600



# Swiftdrain 600

6" wide pre sloped

Best in class

6" wide pre sloped trench drain systems

## Features

Built tough, drainage that lasts



- Easier handling and installation than concrete systems
- .7% - 1% pre sloped channels maintain optimal flow rates
- HDPE material offers high chemical resistance and durability
- Locking Grates

- Channels come numbered with arrows for easy installation
- Components join together with slip joints
- Drain from end of outlet or built-in bottom outlet
- Multiple channel depth and grate options available in ductile iron, cast iron, stainless steel, decorative and polymer



# Swift drain 600

6" wide pre sloped

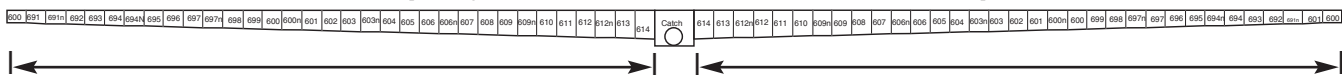
Best in class linear drainage

## 6" wide pre sloped

### Product Specifications

Channel Material:	HDPE High Density Polyethylene
Channel Sizes:	6" wide x 48" long 3.99" - 27.5" deep
Grate Sizes:	6" wide x 24" long x 3/4" thick
Grate Material:	Ductile Iron, Stainless Steel, Polymer, Decorative, Galvanized Steel
Finish:	Perforated Slots, Horizontal Slots, ADA
LOAD RATING:	Class A, Class B, Class C, Class D, Forklift Rated
PSI Strength Product:	1 - 575 PSI
Pipe Outlet Sizes:	Accepts 3", 4", 6", 8" and 12" pipe Yes
Caustic Chemicals:	Yes
Forklift Rated:	Yes
Catch Basin:	Seamless 6" wide x 28" deep x 24" long

Intuitive Slope Design Extendable to 266 linear feet with counter directional setup



132 of Feet of continuous slope

132 Feet of continuous slope



# Swiftdrain 600

6" wide pre sloped

Dependable. Safe. Simple. Reliable.



The **Swiftdrain 600** is the most versatile and customizable all purpose trench drain system on the market. It's continually the go-to drainage solution for commercial, industrial and residential applications alike.

Applications include: roadways, parking areas, warehouses, loading docks, pools, wash-down areas, athletic fields, breweries, hydroponic facilities, driveways, chemical processing, food processing, wineries, stadiums and other areas that experience surface run-off.

Durably made from HDPE, the **Swiftdrain 600 trench drain system** offers the strength of a concrete trench system without the costly installation. Instead, this modular system uses interlocking 1% sloped and neutral channels no couplers required.



A variety of grate options

- Ductile Iron - Part #606
- Stainless Steel - Part #607
- Polymer- #610-Color - black, red, green, white, gray, tan,
- Decorative- Ocean, Lilly, Sierra, Timeless, Floral, Tile

Polymer Grates- Load Class B

Ductile Iron Grates- Load Class C & D

Stainless Steel Grates - Load Class C & D

- Ductile Iron Frames shall be used to achieve load class D Part #600-F
- ADA, Heel Proof, Thin Slot, Horizontal Slot, Perforated, Paw Proof and Forklift Rated Slot Styles



# Swift drain 600

6" wide Pre Sloped

## Intuitive Design and Smart Materials



Shown with Galvanized Steel Grates  
Horizontal Slot Design



Shown Stainless Steel Grates  
Heel Proof Design

The **Swift drain 600** is a market leader in trench drain systems.

Intuitively designed with strength, durability, and functionality in mind.

Made from smart and eco-friendly materials this one of the most functional and customizable trench drain systems offered today.

At A Glance	
Channel Length	48"
Channel Width OD	6"
Channel Width ID	4.5"
Outlet Sizes	3" , 4" ,6" ,8" ,12"
Available Slope	.7% - 1%
Max Flow Rates	65 GPM

The smart & sleek channel design boasts high ratings for chemical and load resistance.

Ductile iron Frames for Class D - Forklift Rated Loading, Semis and High - Lows

Bottom Outlet or End Outlet Configuration on



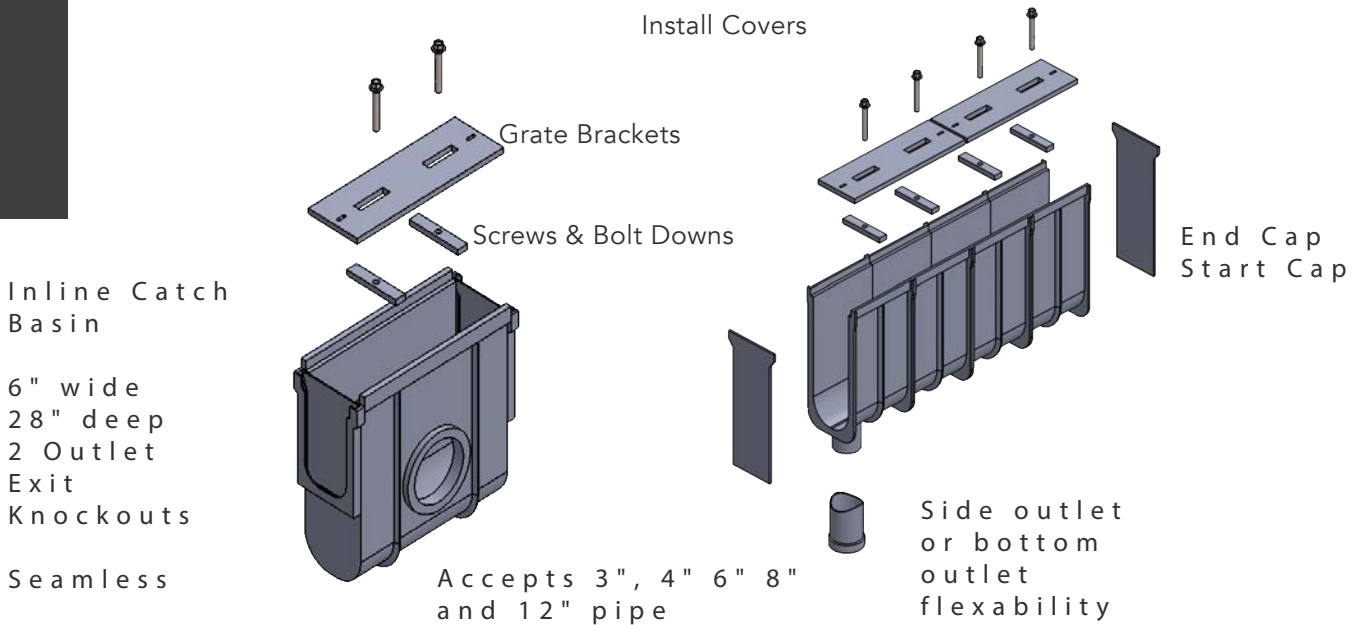
P: 646-227-0910  
E: info@swift drain.com

# Swift drain 600

## Channel Depths

### Channel Details and Dimensions

Part - Ref.	Depth - in inches - neutral channels have no slope	Flow Rate Gallons per minute	Minimum Inner Depth in inches	Maximum Inner Depth in inches	Minimum Outer Depth in inches	Maximum Outer Depth in inches	Weight in LBS
600	3.99" Deep	76	3.998	3.998	5.354	5.761	7.50
691	3.99" to 4.34" Deep	74	3.998	3.998	5.690	5.771	7.50
691N	4.34" Deep Neutral Slope Channel	87	4.334	4.334	5.692	6.102	7.85
692	4.34" to 4.67" Deep	87	4.334	4.670	6.062	6.105	7.91
693	4.67" to 5.00" Deep	102	4.670	5.006	6.362	6.443	8.25
694	5.00" to 5.34" Deep	116	5.006	5.342	6.698	6.779	8.67
694N	5.34" Deep Channel	132	5.342	5.342	6.700	7.112	8.90
695	5.34" to 5.68" Deep	132	5.342	5.678	7.034	7.113	8.95
696	5.68" to 6.01" Deep	146	5.678	6.014	7.370	7.451	9.34
697	6.01" to 6.35" Deep	158	6.014	6.350	7.706	7.787	9.72
697N	6.35" Deep Neutral	172	6.350	6.350	7.708	8.112	10.03
698	6.35" to 6.69" Deep	172	6.350	6.686	8.042	8.123	10.12
699	6.69" to 7.02" Deep	188	6.686	7.022	8.378	8.456	10.44
700	7.02" to 7.36" Deep	200	7.022	7.358	8.714	8.793	10.82
700N	7.36" Deep Neutral	216	7.358	7.358	8.716	9.122	11.12
701	7.36" to 7.69" Deep	216	7.358	7.694	9.050	9.135	11.24
702	7.69" to 8.03" Deep	228	7.694	8.030	9.386	9.466	11.61
703	8.03" to 8.37" Deep	242	8.030	8.366	9.722	9.802	11.93
703N	8.37" Deep Neutral	258	8.366	8.366	9.724	10.136	12.24
704	8.37" to 8.70" Deep	258	8.366	8.702	10.058	10.134	12.32
705	8.70" to 9.04" Deep	270	8.702	9.038	10.394	10.521	12.72
706	9.04" to 9.37" Deep	286	9.038	9.374	10.730	10.812	13.05
706N	9.37" Deep Neutral	300	9.374	9.374	10.732	11.142	13.38
707	9.37" to 9.70" Deep	300	9.374	9.710	11.066	11.145	13.4
708	9.70" to 10.05" Deep	314	9.710	10.046	11.402	11.486	13.82
709	10.05" to 10.38" Deep	326	10.046	10.382	11.738	11.812	14.21
709N	10.38" Deep Neutral	340	10.382	10.382	11.740	12.154	14.49
710	10.38" to 10.71" Deep	340	10.382	10.718	12.074	12.153	14.53
711	10.71" to 11.05" Deep	354	10.718	11.054	12.410	12.491	14.94
712	11.05" to 11.39" Deep	367	11.054	11.390	12.746	12.892	15.33
712N	11.39" Deep Neutral	381	11.390	11.390	12.785	13.153	15.6
713	11.39" to 11.72" Deep	381	11.390	11.726	13.082	13.167	15.84
714	11.72" to 12.06" Deep	395	11.726	12.062	13.418	13.499	16.05



# Swift drain 600

Swift drain 600

## Grate Details and Dimensions



### Dimensions:

Width:	6" wide
Length:	24" long
Height:	3/4"
Load:	Class C , D
Forklift:	Yes
ADA:	Yes
Material:	Ductile Iron, Stainless Steel, Polymer, Galvanized Steel

Heavy Duty  
Fork Lift Rated  
ADA  
Heel Proof

Decorative

Caustic Chemical Proof Rated for High  
Temperatures



# Swift Drain 600

Swift Drain 600

## Grate Material Choices and Styles



Ductile Iron  
Horizontal Slots - #606



Galvanized  
Steel  
#608



Stainless Steel  
Part #607



Polymer  
Part #610





# Swiftdrain 600

6" wide pre sloped

Best in class

6" wide pre sloped trench drain systems

## Grate Features

Longevity, Versatility, Functionality



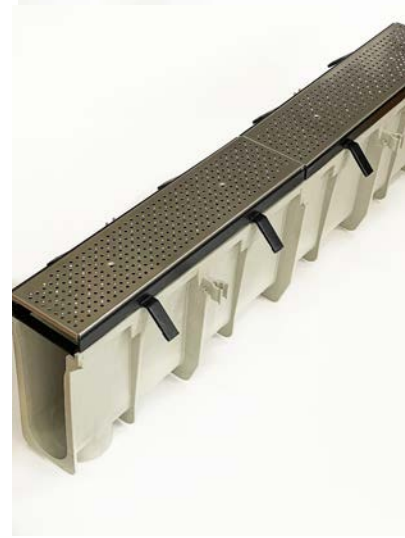
Polymer  
Gray  
ADA  
#610G



Decorative  
Cast Iron  
Designs  
8 Styles to  
choose  
from



Polymer  
Light  
Gray  
ADA  
Heel  
Proof  
#610HP



Stainless  
Steel  
#607SS



# Swiftdrain 600

6" wide pre sloped

Best in class

6" wide pre sloped trench drain systems

## Swiftdrain 600

Longevity, Versatility, Functionality



A variety of grate options to choose from in ductile iron, stainless steel, polymer and decorative iron.

A grate for every application.



# Accessories, Catch Basins, Caps and Outlets

## Catch Basin

Seamless In-line  
6" wide x 24" long x 28" deep  
Side Outlet or Bottom Outlet

Catch basin sump pits are a good way to catch debris before it exits the drain

Seamless and in-line  
Multiple exit points  
28" deep



## Stainless Steel Filter Basket

Removable  
Easy to clean  
Hygienic  
Stainless Steel 304

Removable Stainless steel filter basket

Easy to clean and maintain

Catches debris before it exits the catch basin

Prevents clogging over time



## Side Outlet / Bottom Outlet

Accepts  
3" 4" 6" 8" 12" pipe

Outlet flexibility with a side or bottom outlet

Schedule 40 pipe

3" , 4" ,6" , 8" 12" pipe couplers and adapters



Installation kit includes end caps, end outlets, bolt down 304 stainless steel screws, bottom outlet adapters and pipe couplers for 3" 4" 6" 8" or 12" pipe

# Pre Sloped Channel Chemical Resistance

## HDPE Chemical Resistance Chart

### Grade -- Chemical Effect

- **A = excellent**
- **B = adequate** - minor changes, slight corrosion, elongation, compression
- **C = average** - moderate changes, not recommended for continuous use.
- **F= fail**, not recommended for use. Inefficient, degradation will occur.

Chemical	Compatibility
Acetaldehyde	C
Acetamide	A
Acetate Solvent	A
Acetic Acid	A-
Acetic Acid 20%	A
Acetic Acid 80%	A
Acetic Acid, Glacial	A
Acetic Anhydride	C
Acetone	F
Acrylonitrile	A
Adipic Acid	A
Alcohols: Amyl	A
Alcohols: Benzyl	B
Alcohols: Diacetone	A
Alcohols: Ethyl	A
Alcohols: Isobutyl	A
Alcohols: Isopropyl	A
Alcohols: Methyl	A
Allyl Chloride	A
Aluminum Chloride	A
Aluminum Chloride 20%	A
Aluminum Fluoride	A
Aluminum Hydroxide	A
Aluminum Potassium Sulfate 10%	A
Aluminum Potassium Sulfate 100%	A

Among many of the positive attributes of polyethylene, it is best known for its resistance to caustic chemicals. HDPE also provides strength and toughness to channels

The following observations were conducted under Guidance of ASTM D543 the Standard Test Method for Resistance of Plastics to Chemical Reagents

This chemical resistance chart illustrates how HDPE will fair under these environments with all other factors equal.

HDPE is suitable for high and low temperatures and freeze and thaw cycles.

Complete chemical resistance chart in appendix



## HDPE Chemical Resistance Chart

This chart illustrates the behavior of various agents often found in a brewery, food & beverage processing and chemical plants.

HDPE High Density Polyethylene

- + = Excellent Chemical Resistance - HDPE will stay resistant, non reactive, excellent resilience
- +  
- = Good to average Chemical Resistance - Continuous exposure may lead to structural changes
- = Inefficient Chemical Resistance - Immediate irreversible structural changes

+	+ -	-
HDPE will stay resistant	Continuous exposure may lead to some elongation, structural changes, swelling or other changes that may be reversed	Inefficient Chemical Resistance
Non Reactive	Average Resilience	Immediate structural and functional damage to drain
Excellent Resilience		Inefficient Resilience

Resilience:	HDPE - High Density Polyethylene
A	
Acetaldehyde	±
Acetic acid	+
Acetic acid 5%	+
Acetic acid 50%	+
Acetic acid glacial	+
Acetone	+
Acetonitrile	+
Acetophenone	+
Adipic Acid	+
Allyl alcohol	+
Aluminium chloride	+
Amino acids	+
Ammonia aqueous sat. sol	+
Ammonia liquid 100%	+

Resilience:	HDPE - High Density Polyethylene
Ammonium acetate sat sol	+
Ammonium chloride sat. sol	+
Amyl acetate 100%	±
Amyl alcohol 100%	+
Aniline 100%	+
Aqua regia HCl / HNO <sub>3</sub> = 3:1	-
Arsenic acid	+
<b>B</b>	
2-Butanol	+
Benzaldehyde	+
Benzene	-
Benzyl alcohol	±
Boric acid	+
Butyl acetate 100%	±
<b>C</b>	
Calcium chlorate	+
Calcium chloride	+
Calcium hydroxide	+
Calcium hypochlorite	+
Carbazole	+
Carbon tetrachloride	±
Chlorine aqueous sat sol	±
Chlorine liquid 100%	-
Chlorobenzene	±
Chloroform	±
Chromic acid up to 40%	-
Citric Acid sat. sol	+
Copper sulphate aq	+
<b>D</b>	
1,4-Dioxane	±
Decahydronaphtalene (Decalin)	+
Dibutylphthalate	+
Diethyl ether	±
Diethyl malonate	+
Diethylene dioxide	+
Diethylene glycol	+
Dimethylsulphoxide (DMSO)	+
<b>E</b>	
Ethyl acetate	+
Ethyl alcohol (absolute)	-
Ethyl alcohol 40%	+
Ethyl alcohol 96%	+
Ethylene chloride	-
Ethylene glycol	+
Ethylene oxide 100%	±

Resilience:	HDPE - High Density Polyethylene
<b>F</b>	
Fatty acids	+
Fluorinated hydrocarbon	-
Fluorine	-
Fluorine gas	-
Formaldehyde	+
Formaldehyde 10%	+
Formaldehyde 40%	+
Formic acid up to 100%	+
Formic acid up to 40%	+
<b>H</b>	
Hexane	+
Hydrobromic acid up to 100%	+
Hydrochloric acid	+
Hydrochloric acid 20%	+
Hydrochloric acid 5%	+
Hydrochloric acid up to 40%	+
Hydrofluoric acid 4%	+
Hydrofluoric acid 48%	+
Hydrogen peroxide 30%	+
<b>I</b>	
Isopropanol	+
Isopropyl ether 100%	+
<b>L</b>	
Lactic acid 10%	+
Lactic acid up to 100%	+
Lead acetate	+
<b>M</b>	
2-Methoxyethanol	+
Magnesium chloride sat sol	+
Mercury	+
Mercury hydroxid	+
Methanol 100%	+
Methoxyethyl oleate	+
Methyl alcohol	+
Methylene chloride	-
<b>N</b>	
n-Butanol	+
n-Octane	+
Nitric acid 40 - 50%	±
Nitric acid up to 30%	+
<b>O</b>	
Oxalic acid sat sol	+
Ozone	±

Resilience :	HDPE - High Density Polyethylene
<b>P</b>	
2-Propanol	+
Perchloroethylene	-
Petroleum ether	±
Phenol 90%	+
Phosphoric acid	+
Phosphoric acid 5%	+
Phosphoric acid 85%	+
Phosphorus trichloride	+
Potassium hydroxide up to 50%	+
Potassium permanganate 30%	+
Propylene glycol	+
Pyridine	-
<b>S</b>	
Silicone oil	+
Silver nitrate	+
Sodium carbonate up to 50%	+
Sodium dichromate sat. sol	+
Sodium hydroxide 1%	±
Sodium hydroxide 10% - 60%	±
Sodium hypochlorite 15%	+
Stearic acid	+
Sulphuric acid 10 - 30%	+
Sulphuric acid 50%	+
Sulphuric acid 96%	±
Sulphuric acid 98%	±
Sulphuric acid up to 10%	+
<b>T</b>	
Tartaric acid sat sol	+
Tetrahydrofuran	-
Tincture of iodine	+
Toluene	±
Tributyl citrate	±
Trichloroethylene	-
Triethylene glycol	+
Tripropylene glycol	+
Trisodium phosphate	+
<b>U</b>	
Urea sat sol	+
<b>X</b>	
Xylene	±
<b>Z</b>	
Zinc chloride sat sol	+
Zinc sulphate sat sol	+



# Swiftdrain 600

Swiftdrain 600



Swiftdrain 600 Kennel Drain Proudly  
used by the Humane Society

#### Partial Client List:

Dow Chemical  
U.S. Air Force  
Humboldt Cider Company  
Formosa Plastics  
Shipyard Brewing  
US Post Office  
Humane Society  
Planet Fitness  
UPS  
Louisiana Port Authority  
St. John's University  
Macarthur Airport



P: 646-227-0910  
E: [info@swift drain.com](mailto:info@swift drain.com)