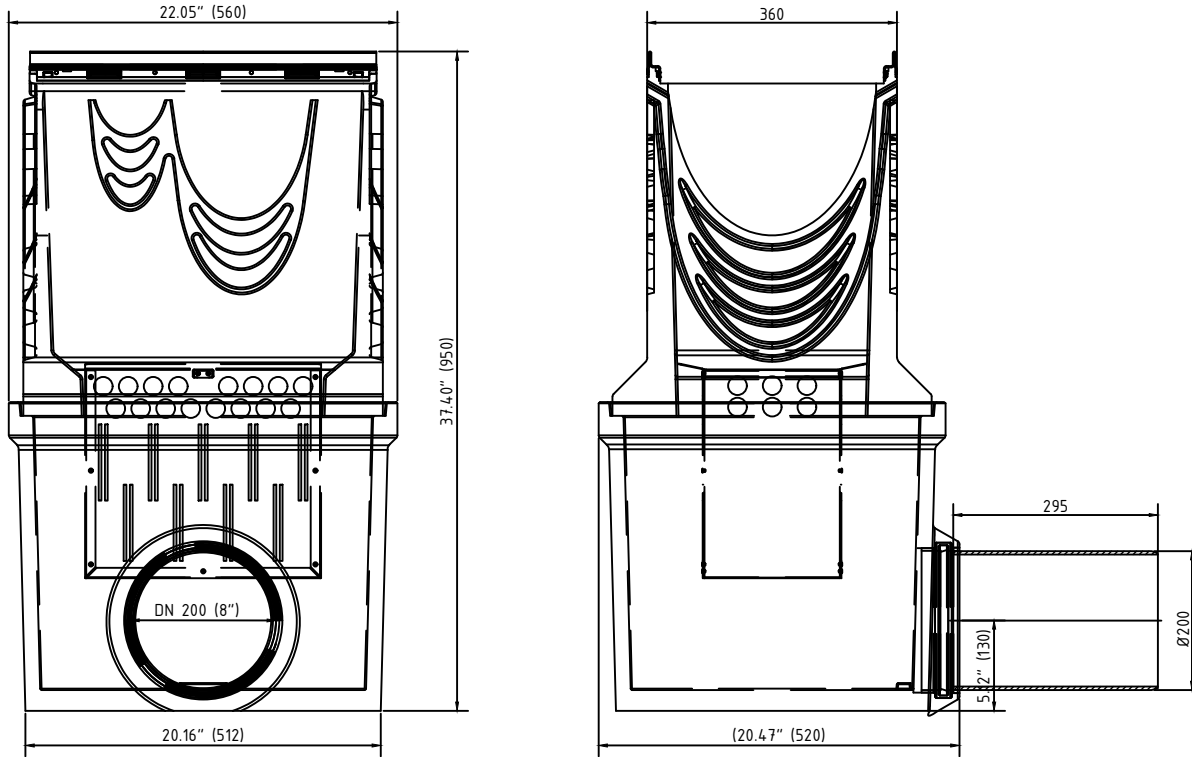


Accessories

1. Sump unit:
 (optional: Silt bucket: 22213)

V 10630290



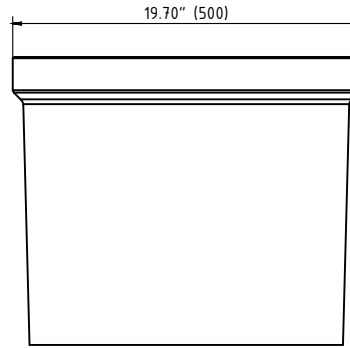
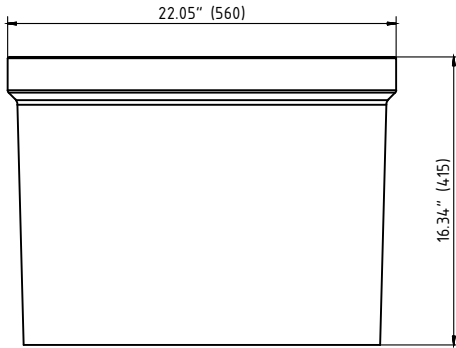
Accessories FILCOTEN® pro – V 300 (12") – extra heavy duty series

	Item Nno.	Accessories	Material	Weight	
				LBS	kg
<input type="radio"/>	10630290	Catch basin 12" with cast iron rails and 8" outlet with seal	FILCOTEN	270.07	122.5
<input type="radio"/>	22213	Sediment bucket for catch basin	galvanized	7.05	3.2
<input type="radio"/>	19030213	Front/end cap stainless steel	galvanized	3.75	1.7
<input type="radio"/>	19030214	End cap with outlet DN200	galvanized	3.52	1.6
<input type="radio"/>	19030290	End cap for catch basin with connection cut-outs	galvanized	3.75	1.7
<input type="radio"/>	19060020	Catch basin extension unit	FILCOTEN	93.69	42.5
<input type="radio"/>	19021208	8" No Hub bottom outlet	galvanized	2.20	1.0
<input type="radio"/>	19030295	Step connector plate NW300 pro 0/10-0/20-0	galvanized	0.92	0.42
<input type="radio"/>	70154	Pipe connector DN200, L=295mm	plastic	2.40	1.1

Accessories (cont.)

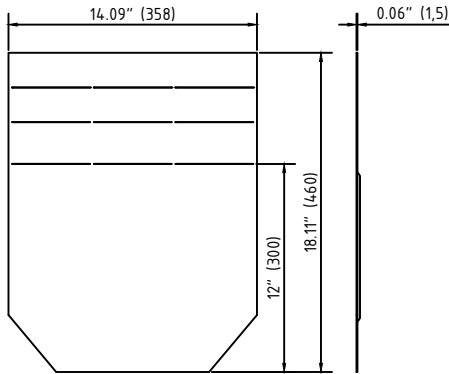
2. Catch basin extension unit:

19060020

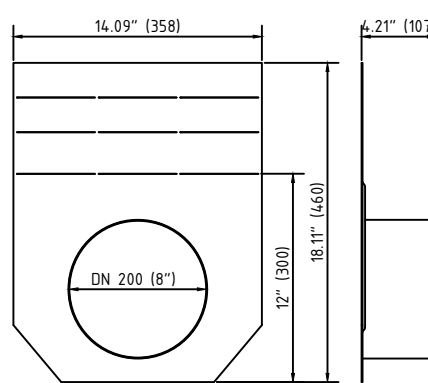


3. End cap:

19030213



19030214



4. Bolting material:

32110
 (Ductil iron grating)



32112
 (Mesh grating)



5. End cap for catch basin with connection cut-outs:

19030290

