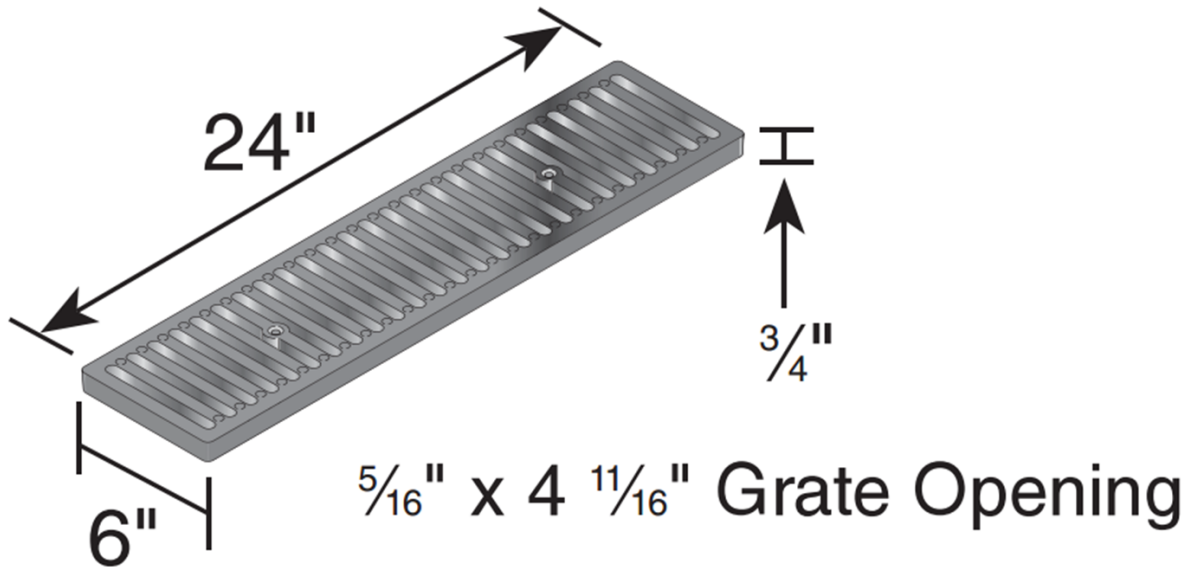


600 Series

6" Heavy Duty Trench Drain Grate



Material: Cast Iron

Color: Black

Weight:

DS-232—15.20

Grate Opening: 20.85 in² per foot

Will accommodate 63.78 gallons
per minute per foot with 1/2"

Load Recommendation Guide



Class D

- Loads of 326-575 psi.
- Recommended for heavy-duty hard tire forklifts at speeds less than 20 m.p.h., H-20 rated.